

The background of the right side of the page is a vibrant illustration of an underwater scene. It features several orange and white clownfish swimming among purple and blue coral. The scene is overlaid with large, flowing, wavy bands in shades of teal and light blue, which create a sense of movement and depth. The overall aesthetic is clean and modern, with a focus on natural elements related to water and life support.

LIFE SUPPORT SYSTEM

2022 CATALOGUE

Director: Angel Wang
Export Supervisor: Annie Chen

Email: angel@laswimwater.com
Email: annie@laswimwater.com

Direct Line: 0086-760-23127666, ext. 310
Direct Line: 0086-760-23127666, ext. 319



To scan QR code for
more information.

202203

Guangdong Laswim Water Environment Equipment Co., Ltd

Factory Add: No.16, Jianye Road, Shenghui South Industrial Park, Nantou,
Zhongshan City, Guangdong Province, 528427, P. R. China
Tel: (0086)760-2312 7666 Fax: (0086)760-2312 7299

www.laswim-lss.com





Contents

01 Company introduction	
One-stop system solution	02
Production workshop	03
Qualification and honor	04
Typical project cases	05
02 LSS & RAS	
Complete LSS solutions for large aquarium	07
RAS for fish farm or hatchery	08
03 Protein fractionation system	
LDPE protein skimmer	10
FRP protein skimmer	12
04 Physical filtration system	
ADG series sand filter	14
CCG series commercial sand filter ...	15
HF series horizontal sand filter	16
WF series bag filter	20
Ozone reactor	21
Degassing tower	22
05 Circulating system	
HLLF series pump	24
CEP series pump	25
CSP series SS pump	26
HGP-E series seawater pump	27
KLBP series seawater pump	28
KBP series seawater pump	29
KAP series seawater pump	30
KUP series seawater pump	31
DPG series seawater pump	32
06 Basket strainer	
WL-BS series FRP strainer	39
SFPF series SS strainer	40
SSPF series SS strainer	41
07 Disinfection system	
UVD series UV sterilizer for seawater	44
UVX series UV sterilizer for seawater	45
UVM series UV sterilizer for seawater	46
UVC full flow UV sterilizer	47
08 Ozone generator	
QLA series air source ozone generator	49
QLA-D series portable intelligent ozone generator ...	50
QLO series all-in-one ozone generator	51
OWS series all-in-one ozone generator	52
09 Constant temperature system	
Heat pump for aquaculture	54
Chiller	58
Plate heat exchanger	59
10 Drum filters	
RDF rotary drum filter	61
RDM rotary drum filter	62
11 Biological filtration system	
Biological filter	64
Bead filter	65
Skid mounted filtration systems	66
12 Others	
Filter media	67



COMPANY INTRODUCTION

Focusing on water environment for over 33 years.



Life support system exhibition area of the company headquarters

LASWIM is a famous brand specializing in the production and operation of aquarium life support system, recirculating aquaculture system, swimming pool, water park, hot spring, hydrotherapy, water show and other water environment equipment in China.

Our company is committed to provide users with the highest possible quality, reliable and efficient LSS and RAS, always adheres to the innovative development ideas and business philosophy of "integrity, professional, quality, service". Through our continuous improvement in R&D, design, manufacturing and service, we have been in the industry for over 33 years with innovative technology, professional products, excellent quality and integrity service.

The production and research base covers more than 90000m² in Guangzhou city, Zhongshan city and Taishan city. We have a strong team of more than 600 highly skilled and motivated workers in various fields (including aquaculture technology, water treatment technology, air environment technology, water quality monitoring, automatic control, etc.). The products are designed and manufactured by using international advanced technology and design concepts, ensuring our upgrade ability, product quality and service.

Due to our deep understanding of the constantly changing demands in the filtration technology industry of aquariums, aquaculture, swimming pools, water parks and etc., we have a complete range of products, including water pump, filtration system, protein skimmer, UV sterilizers and constant temperature control system. In addition, we are dedicated to continuous research and development.

In an effort to work more efficiently and effectively with clients, LASWIM embraces a "Surpass, Value, Win-Win" strategy that focuses the company as an intimate partner in business, rather than hardware centered organization. LASWIM will continue to forge ahead in pursuit of excellence perfection and write a new chapter in the industry.

One-stop solution Aquariums & aquaculture equipment

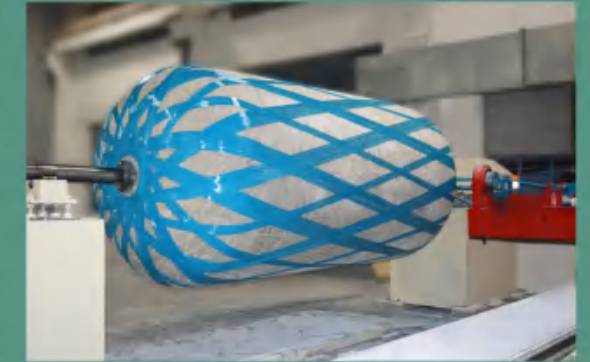


LASWIM has complete and advanced production lines and with the ability to produce a full set of water environment equipment for LSS and RAS. Each production workshop is equipped with advanced production equipment and highly-skilled workers, and has formulated a standardized operation process. Each of our product has gone through strict quality management, to ensure that the products reached the hands of users are qualified.

PRODUCTION WORKSHOP



Water pump production line



Horizontal sand filter winding workshop



Fiberglass sand filter anti-aging and anti-UV treatment



Protein skimmer production workshop



Testing of heat pump



Heat pump production workshop

TYPICAL PROJECT CASES



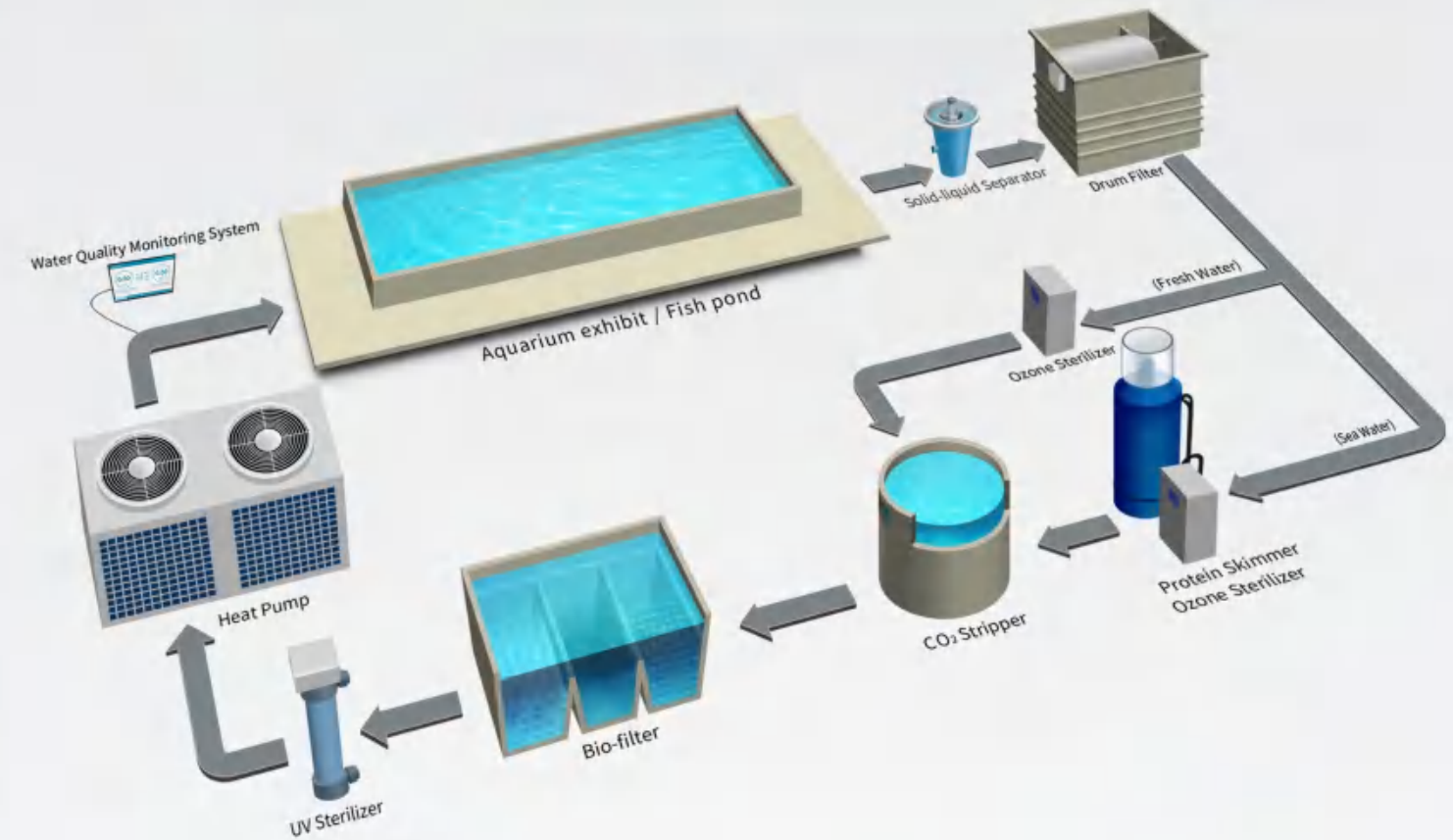
Typical project cases of LSS & RAS

- Zhuhai Chimelong Ocean Kingdom Marine Science Museum
- Zhuhai Chimelong Ocean Kingdom Orca Breeding Base
- Zhuhai Chimelong Ocean Kingdom Penguin Hotel
- Zhuhai Chimelong Ocean Kingdom display pool
- Zhuhai Chimelong Ocean Kingdom Deep Well
- Fujian Wuyi Mountain Polar Ocean Park
- Hong Kong Ocean Park
- Marine Ecological Environment Indoor Simulation System of the State Key Laboratory of Xiamen University
- Shanghai Haichang Polar Ocean World
- Singapore Zoo
- Changsha Undersea World
- Shandong Rizhao Ocean Park
- Changxing Dragon Dream Marine World in Zhejiang
- Shenzhen Animal Park
- Baotou Ocean World
- Lanzhou Polar Ocean World
- North Korea Aquarium

AQUARIUM LSS

Marine organisms have been gradually discovered, and life support system suitable for marine organisms has been developed accordingly, which consists of physical filtration system and protein separation system. It uses modern aquarium science and technology to imitate the natural environment and provide suitable water environment for aquarium. Water quality is the most important base of aquarium. The quality of water is directly related to the survival rate of aquarium, and water quality management has become the core issue of today's aquarium operation.

The life support system consists of several sub-systems, including physical filtration, protein separation system, sterilization system, temperature control system, bio-filtration system, circulation system and illumination system. Through water purification, disinfection and constant temperature, life support system creates an optimum water environment for the aquatic life.



RAS FOR FISH FARM OR HATCHERY

The indoor recirculating aquaculture system is a land-based fish farm, which uses the recirculating aquaculture system to treat the water, so as to reduce pollution, increase production, optimize quality and sell off-season. The system can be applied to fresh water and sea water, achieve the best temperature and stable production throughout the year, and not affected by seasonal changes, location, climate and environment.

Advantages of RAS:

- Stable high production throughout the year
- Small area and less water consumption
- Control pathogens and reduce the risk of aquatic diseases
- Balanced diet nutrition and optimized quality
- Recycling water, wastewater treatment and eco-friendly



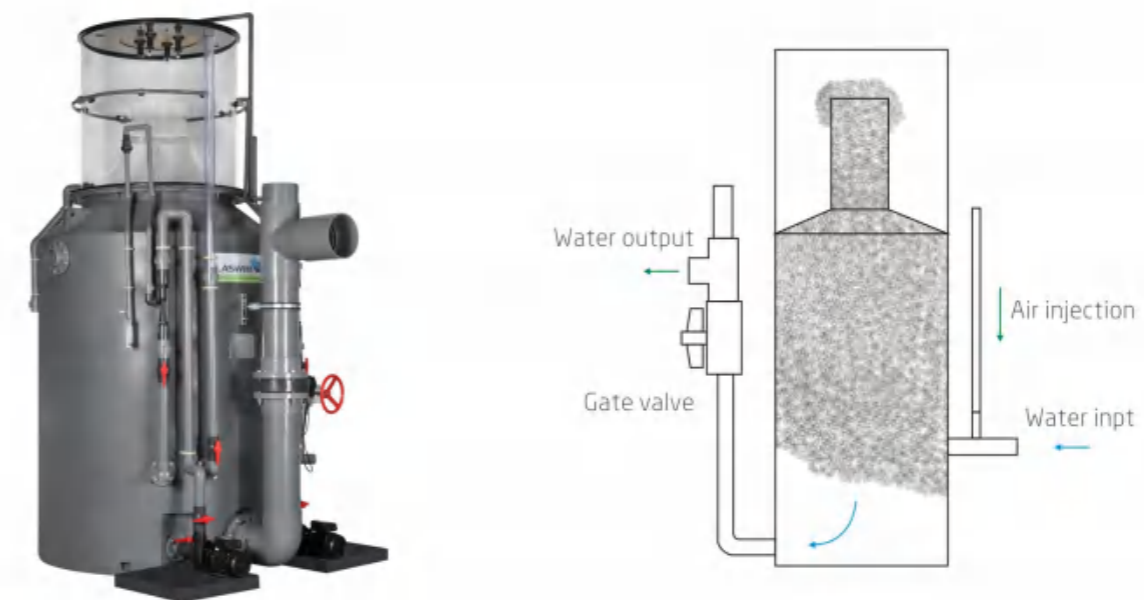
PROTEIN FRACTIONATION SYSTEM

Protein skimmer (also called foam fractionator) is an important physical device to improve the water quality of aquarium and aquaculture by removing suspended particulates, dissolved organics, fish food remains, proteins and tints from the water. At the same time, protein fractionation lowers bacteria and pathogen concentrations, while saturating the water with oxygen. The normal operation of protein skimmer plays an important role in reducing the load imposed on bio-filtration system.

LLDPE protein skimmer
FRP protein skimmer
PP protein skimmer

LLDPE PROTEIN SKIMMER

The body of this series protein skimmer is made from UV rated linear low density polyethylene (LLDPE) material, which makes the protein skimmer rugged, ozone safe and UV-resistant, and adopts rotationally molded design, it is once piece, eliminating potential leaking and failures from seams and weld points. Equipped with an automatic washdown system and touch screen controller for a simple and convenient programming of rinse cycles for the internal and external cone. It is designed to carry out the protein fractionation process efficiently and help to save the operation and maintenance cost. At the same time, stocking densities and growth rates are all enhanced and animal health improved.



Features:

- High venturi air flow direct injection system.
- Rotation molded LLDPE main body.
- Vanstone inlet flange.
- Cost saving dual seawater & potable water top cup rinse system.
- Individual electronic timer control and electrical solenoid for rinse system.
- Special designed venturi injection pump.
- Adjustable air flow meter for ozone injection.
- Anti-siphon design.
- Built-in floor anchoring point.
- All clear acrylic top cup and funnel.
- Ozone vent and fresh air make up vent on top cup.
- Pillow base included for venturi pump.
- Retracting top cup seawater rinse spray head.
- Easy to install, normally 3-6 hours for complete installation with minimum tool.

Application



Seawater venturi pump

Pump material	PPO+PPE+30% FRP
Shaft	316SS+PVC
Mechanical seal	High density silicon carbide surface
O-ring	Viton(high corrosion resistance)
Water proof standard	IP55(ODP)
Pump housing	Aluminum alloy
Power supply	220V/1N/50Hz,380V/3N/50Hz
Motor	2950rpm
Liquid temperature	5-50°C
Ambient temperature	≤50°C
Max. working pressure	0.3MPa



Technical parameters

Model	Flow rate (@120S) m³/h	Flow rate (@90S) m³/h	Diameter of reaction chamber (mm)	Total height (mm)	Total volume (L)	Venturi quantity	Water inlet (mm)	Water outlet (mm)
WL-LDPE25	7	9	420	2134	226	1	φ50	φ63
WL-LDPE50	14	18	550	2515	452	1	φ63	φ90
WL-LDPE75	24	32	730	2591	797	1	φ63	φ90
WL-LDPE150	40	54	950	2565	1350	1	φ90	φ110
WL-LDPE300	84	112	1350	2794	2800	1	2Xφ90	φ160
WL-LDPE600	166	222	1650	3658	5540	2	2Xφ110	φ225
WL-LDPE1000	282	376	2134	3658	9407	4	2Xφ160	φ315
WL-LDPE2000	344	458	2134	4267	11445	4	2Xφ225	φ400

FRP PROTEIN SKIMMER

In the water recirculating aquaculture or aquarium project, if the protein in the water is not removed in time, excessive accumulation will cause the water to appear milky white or yellow, even after decomposition, it will damage the water quality seriously and produce toxic substances, such as ammonia nitrogen, nitrite, nitrate, phosphate, etc. This high efficient protein skimmer is designed to remove these impurities.

Features:

- Environment friendly and high efficient, low energy consumption.
- High performance venturi injection system to produce sufficient air bubble.
- Remove the suspended solids while increasing oxygen in the water.
- The body is made from FRP (polyester reinforced with fiberglass), anti-corrosion and anti-UV.
- Reduce the load imposed on bio-filtration system and stabilize water's pH value.
- Trouble-free design, for easy installation and maintenance.
- With collecting tank, easy for disassembling and cleaning.



Technical parameters

Model	Reaction chamber diameter (mm)	Height of water column (mm)	Flow rate (m³/h)	Water inlet (mm)	Water outlet (mm)	Foam outlet (mm)	Venturi quantity (pcs)	Pump power (kw)
WL-WPSB400	400	2500	10/7.5	63	90	50	1X1"	0.75X1
WL-WPSB600	600	2700	22/16	90	110	50	1X1.5"	1.1X1
WL-WPSB800	800	3100	45/34	90	110	50	1X1.5"	1.5X1
WL-WPSB900	900	3100	55/42	90	140	50	1X2"	2.2X1
WL-WPSB1000	1000	3600	85/65	110	160	63	2X1.5"	1.1X2

PHYSICAL FILTRATION SYSTEM

- ADG series sand filter
- CCG series commercial sand filter
- HF series horizontal sand filter
- WF series bag filter
- Ozone reactor
- Degassing tower

ADG SERIES SAND FILTER



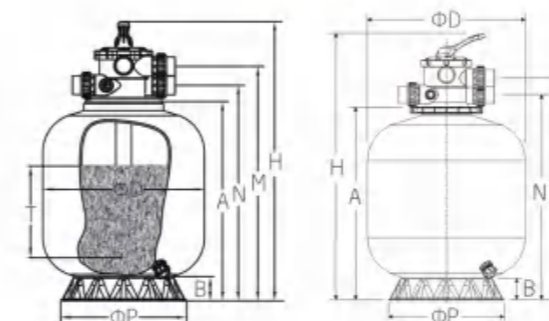
WL-ADG350~WL-ADG700



WL-ADG800~WL-ADG1400

Top mount vertical sand filters are built to be tougher, longer lasting and better performing. Constructed of polyester resin and non-corrosive extra-thick fiberglass filament winding, all internal components and connections are injection molded PVC. UV-resistance surface allows working under sunshine. Easy-to-use sixposition valve makes you select any of the valve/filter operation in a proper way.

- FILTER (Normal filtration and vacuuming).
- BACKWASH (Clean filter by reversing the flow).
- RINSE (Used after backwash to flush dirt from valve).
- WASTE (By-passes filter, used for vacuuming to waste or lowering water level).
- RECIRCULATE (By-passes filter for circulating water to pool).
- CLOSE.



ΦD(mm)	800	900	1000	1100	1200	1400
H(mm)	1130	1270	1340	1460	1540	1750
A(mm)	830	970	1040	1160	1240	1450
B(mm)	150	150	150	180	180	180
M(mm)	972	1112	1182	1302	1392	1592
N(mm)	892	1032	1102	1222	1312	1512
ΦP(mm)	790	790	790	1010	1010	1010
T(mm)	490	500	580	600	750	900

Model	Pipe Size (inches)	Filter Area (m ²)	Design Flow (m ³ /h)	0.5-0.8mm Sand Weight (kg)	Tank Volume (m ³)	Valve Volume (m ³)	Tank Weight (kg)	Valve Weight (kg)
WL-ADG350	1.5	0.1	4.5	25	0.06	0.02	4.5	3
WL-ADG400	1.5	0.13	6.5	34	0.09	0.02	5.5	3
WL-ADG450	1.5	0.16	8.0	50	0.15	0.02	7.0	3
WL-ADG500	1.5	0.23	11.5	80	0.20	0.02	9.8	3
WL-ADG650	1.5	0.32	16.0	160	0.32	0.02	13.0	3
WL-ADG700	1.5	0.40	20.0	220	0.42	0.02	18.5	3
WL-ADG800	2.0	0.50	25.0	370	0.68	0.03	41.0	5
WL-ADG900	2.0	0.64	30.0	447	0.95	0.03	48.0	5
WL-ADG1000	2.0	0.79	35.0	700	1.29	0.03	58.0	5
WL-ADG1200	2.0	1.13	50.0	960	2.26	0.03	68.0	5
WL-ADG1400	2.0	1.53	68.0	1300	3.50	0.03	110.0	5

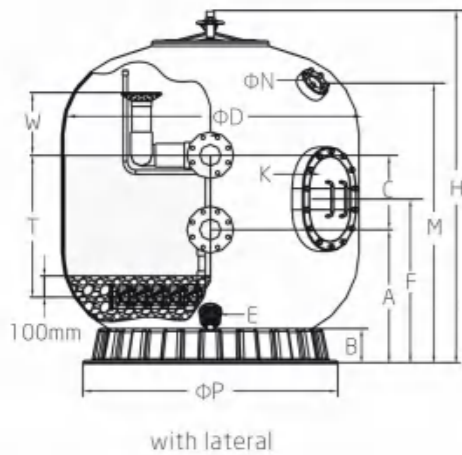
STANDARD MAX. WORKING PRESSURE: 36psi/2.5kg/cm² MAX. OPERATING WATER TEMPERATURE: ≤50°C MAX. TESTING PRESSURE: 60psi

CCG SERIES COMMERCIAL SAND FILTER



This series commercial sand filters are built to be tougher, longer lasting and better performance. Constructed of polyester resin and non-corrosive fiberglass filament winding. All internal components and connections are injection molded PVC. UV-resistant surface allows working under sunshine. Spherical body with uniform thickness, can bear the water pressure evenly. Manhole is optional for easy maintenance. Applicable for aquarium and aquaculture.

Optional accessories: sight glass, manhole, air purge, nozzle plate



D (mm)	1200	1400	1600	1800	2000	2300	2500
H (mm)	1400	1600	1750	1950	2140	2350	2450
A (mm)	560	650	680	730	800	940	960
B (mm)	165	165	215	215	240	240	240
C (mm)	340	350	450	550	550	600	600
E (mm)	60	60	60	60	60	60	60
F (mm)	740	800	875	910	1050	1070	1100
K (mm)	180x180	400x300	400x300	400x300	400x300	450x300	450x350
M (mm)	1150	1250	1450	1650	1700	1800	1900
N (mm)	80	80	80	80	80	80	80
P (mm)	1010	1215	1450	1610	1800	2010	2010
T (mm)	600	700	800	850	900	1000	1050
W (mm)	300	300	320	320	350	400	400

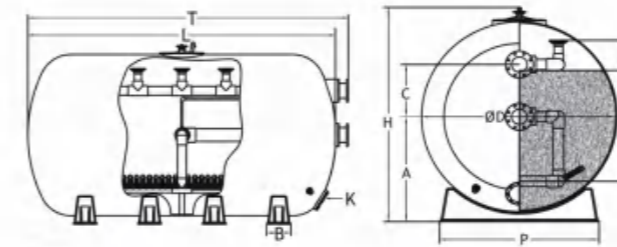
Model	Pipe Size		Filter Area (m ²)	Design Flow (m ³ /h)	0.4-0.8mm Sand Weight (kg)	1-2mm Gravel Weight (kg)	Tank Diameter (mm)	Tank Height (mm)
	inches	mm						
WL-CCG1200	3	90	1.13	45	750	300	1200	1400
WL-CCG1400	4	110	1.54	61	1200	500	1400	1600
WL-CCG1600	6	160	2.01	80	1850	750	1600	1750
WL-CCG1800	6	160	2.54	101	2500	1050	1800	1950
WL-CCG2000	6	160	3.14	125	3300	1150	2000	2140
WL-CCG2200	6	160	3.80	152	4150	1470	2200	2350
WL-CCG2300	8	200	4.15	166	4900	1600	2300	2350
WL-CCG2350	8	200	4.35	175	5000	1800	2350	2350
WL-CCG2500	8	200	4.90	196	6000	2200	2500	2450
WL-CCG3000	8	200	7.07	282	8600	3300	3000	2650

STANDARD: MAXIMUM WORKING PRESSURE: 36psi/2.5kg/cm²
 OPTIONAL: MAXIMUM WORKING PRESSURE: 58psi/4.0kg/cm²

MAXIMUM TEMPERATURE: 50°C
 MAXIMUM TEMPERATURE: 50°C

HF SERIES HORIZONTAL SAND FILTER

This series commercial sand filters are built to be tougher, longer lasting and better performance. Constructed of polyester resin and non-corrosive fiberglass filament winding. All internal components and connections are injection molded PVC. UV-resistant surface allows working under sunshine. Spherical body with uniform thickness, can bear the water pressure evenly. Manhole is optional for easy maintenance. Applicable for aquarium and aquaculture.





Φ1200mm

Model	Diameter (mm)	Height (mm)	Flow velocity (m ³ /h/m ²)	Pipe size		Design flow (m ³)	Filter area (m ²)	0.5-0.8mm Sand weight(kg)	1-2mm Gravel weight(kg)				
				mm	inches								
										20	90	3"	39
30	110	4"	59										
40	160	6"	79										
WL-HF121900	1200	1390	20	110	4"	48	2.42	1430	550				
										30	160	6"	73
										40	160	6"	97
WL-HF122300	1200	1390	20	110	4"	53	2.65	1750	700				
										30	160	6"	79
										40	160	6"	106
WL-HF122500	1200	1390	20	110	4"	57	2.87	2080	830				
										30	160	6"	86
										40	160	6"	115
WL-HF122700	1200	1390	20	110	4"	64	3.21	2330	925				
										30	160	6"	96
										40	160	6"	129

Φ1400mm

Model	Diameter (mm)	Height (mm)	Flow velocity (m ³ /h/m ²)	Pipe size		Design flow (m ³)	Filter area (m ²)	0.5-0.8mm Sand weight(kg)	1-2mm Gravel weight(kg)				
				mm	inches								
										20	110	4"	45
30	110	4"	67										
40	160	6"	89										
WL-HF141900	1400	1600	20	110	4"	60	3.02	2750	800				
										30	160	6"	91
										40	160	6"	121
WL-HF142500	1400	1600	20	160	6"	73	3.67	3375	1000				
										30	160	6"	110
										40	160	6"	147

Φ1600mm

Model	Diameter (mm)	Height (mm)	Flow velocity (m ³ /h/m ²)	Pipe size		Design flow (m ³)	Filter area (m ²)	0.5-0.8mm Sand weight(kg)	1-2mm Gravel weight(kg)				
				mm	inches								
										20	110	4"	49
30	160	6"	74										
40	160	6"	99										
WL-HF161900	1600	1830	20	110	4"	67	3.36	3800	850				
										30	160	6"	101
										40	160	6"	134
WL-HF162500	1600	1830	20	160	6"	82	4.10	4700	1050				
										30	160	6"	123
										40	200	8"	164

Φ1800mm

Model	Diameter (mm)	Height (mm)	Flow velocity (m ³ /h/m ²)	Pipe size		Design flow (m ³)	Filter area (m ²)	0.5-0.8mm Sand weight(kg)	1-2mm Gravel weight(kg)				
				mm	inches								
										20	160	6"	75
30	160	6"	112										
40	160	6"	150										
WL-HF182500	1800	2050	20	160	6"	92	4.58	5930	1230				
										30	160	6"	137
										40	200	8"	183
WL-HF183000	1800	2050	20	160	6"	108	5.41	7000	1480				
										30	200	8"	162
										40	200	8"	216
WL-HF183500	1800	2050	20	160	6"	125	6.25	8080	1700				
										30	200	8"	187
										40	250	10"	250

Φ2000mm

Model	Diameter (mm)	Height (mm)	Flow velocity (m ³ /h/m ²)	Pipe size		Design flow (m ³)	Filter area (m ²)	0.5-0.8mm Sand weight(kg)	1-2mm Gravel weight(kg)				
				mm	inches								
										20	160	6"	87
30	160	6"	130										
40	200	8"	174										
WL-HF202500	2000	2220	20	160	6"	106	5.30	7450	1300				
										30	160	6"	159
										40	200	8"	212
WL-HF203000	2000	2220	20	160	6"	125	6.25	8900	1550				
										30	200	8"	187
										40	200	8"	250
WL-HF203500	2000	2220	20	160	6"	144	7.21	10350	1800				
										30	200	8"	216
										40	250	10"	288
WL-HF204000	2000	2220	20	200	8"	163	8.16	11800	2080				
										30	200	8"	245
										40	250	10"	326

Φ2350mm

Model	Diameter (mm)	Height (mm)	Flow velocity (m ³ /h/m ²)	Pipe size		Design flow (m ³)	Filter area (m ²)	0.5-0.8mm Sand weight(kg)	1-2mm Gravel weight(kg)
				mm	inches				
WL-HF234000	2350	2560	20	200	8"	163	8.17	12800	3650
			30	200	8"	245			
			40	250	10"	327			
WL-HF234500	2350	2560	20	200	8"	186	9.28	14525	4200
			30	250	10"	279			
			40	250	10"	371			
WL-HF235000	2350	2560	20	200	8"	208	10.40	16250	4750
			30	250	10"	312			
			40	250	10"	416			
WL-HF236000	2350	2560	20	200	8"	253	12.63	19700	5850
			30	250	10"	379			
			40	315	12"	505			
WL-HF237000	2350	2560	20	250	10"	297	14.86	23150	6950
			30	315	12"	446			
			40	315	12"	594			

Φ2500mm

Model	Diameter (mm)	Height (mm)	Flow velocity (m ³ /h/m ²)	Pipe size		Design flow (m ³)	Filter area (m ²)	0.5-0.8mm Sand weight(kg)	1-2mm Gravel weight(kg)
				mm	inches				
WL-HF254000	2500	2710	20	200	8"	172	8.62	13500	3725
			30	200	8"	258			
			40	250	10"	345			
WL-HF254500	2500	2710	20	200	8"	196	9.80	15350	4300
			30	250	10"	294			
			40	250	10"	392			
WL-HF255000	2500	2710	20	200	8"	220	10.98	17200	4850
			30	250	10"	329			
			40	315	12"	439			
WL-HF256000	2500	2710	20	200	8"	267	13.34	20900	5975
			30	250	10"	400			
			40	315	12"	533			
WL-HF257000	2500	2710	20	250	10"	314	15.70	24600	7100
			30	315	12"	471			
			40	315	12"	628			

Φ3000mm

Model	Diameter (mm)	Height (mm)	Flow velocity (m ³ /h/m ²)	Pipe size		Design flow (m ³)	Filter area (m ²)	0.5-0.8mm Sand weight(kg)	1-2mm Gravel weight(kg)
				mm	inches				
WL-HF305000	3000	3230	20	200	8"	265	13.24	26300	6875
			30	250	10"	397			
			40	315	12"	530			
WL-HF306000	3000	3230	20	250	10"	322	16.08	31920	8450
			30	315	12"	482			
			40	315	12"	643			
WL-HF307000	3000	3230	20	250	10"	378	18.92	37545	10025
			30	315	12"	568			
			40	315	12"	756			
WL-HF308000	3000	3230	20	315	12"	435	21.76	43170	11600
			30	315	12"	653			
			40	355	14"	870			

WF SERIES BAG FILTER

Full plastic bag filter is a new filtration system, with high precision, big flow, easy installation and maintenance. It can be divided into three parts: housing, filter basket and filter bag.

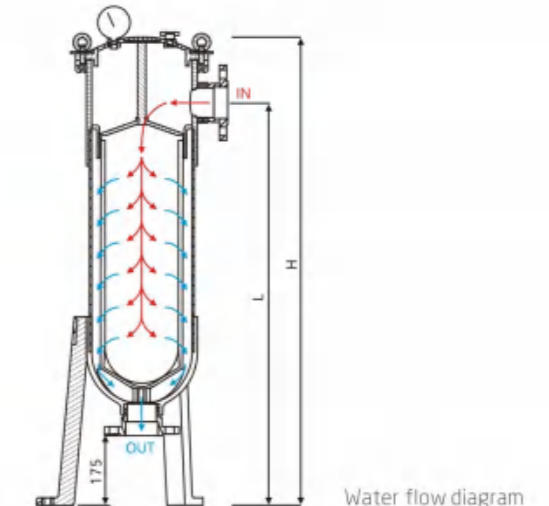
Features:

- UVPC plastic filter housing with strong corrosion resistance.
- Unique seal design makes the filter more safety and reliable.
- The special filtration technology can effectively prevent the bag plunged into the support basket, no inner leak.
- Compact structure, beautiful appearance and small footprint.
- High filter precision, the filtration range is 0.5 to 200um.
- Large processing flow rate, large capacity and high efficiency.



Working principle:

The water to be filtered flows in from the inlet, and then flows from the inside to outside of the filter bag, finally flows into the specified container through the outlet at the bottom of the filter. The filtered particle impurities are trapped in the filter bag, to make sure that there is no contamination to the filtered water when replacing the filter bag and the unit can be re-used after replacing the filter bag.



Technical parameters:

Model	Size	Bag size	Water inlet/outlet size	Height of water inlet	Max. working pressure
WL-WF-11A	φ225-H805	φ7"(178mm)-H17"(419mm)	Flange:DN50/ANSI2"	650	A=0.4MPA
WL-WF-12A	φ225-H1190	φ7"(178mm)-H32"(813mm)	Flange:DN50/ANSI2"	1035	A=0.4MPA
WL-WF-11B	φ225-H820	φ7"(178mm)-H17"(419mm)	Flange:DN50/ANSI2"	665	B=0.7MPA
WL-WF-12B	φ225-H1200	φ7"(178mm)-H32"(813mm)	Flange:DN50/ANSI2"	1045	B=0.7MPA

Note:
1. One filter bag is installed inside the housing.
2. Max. temperature: 45°C, vent hole and pressure gauge mounting hole thread size: G1/4", for metric pressure gauges, need to order adapters separately.

OZONE REACTOR

Reaction formula: $CT \geq 1.6$, ozone demand: $Po_3 = qc \times O_3$. Ozone reactor size: $V = qc/60Xt$. Φ - the amount of ozone added into the water; t-time requirement for ozone and water contact reaction; V-the volume of ozone reactor; qc-the circulating water amount)

Max. working pressure: 250kpa/36psi/2.5bar or 400kpa/58psi/4.0bar.

Max. testing pressure: 400kpa/58psi/4.0bar or 600kpa/86psi/6.0bar.

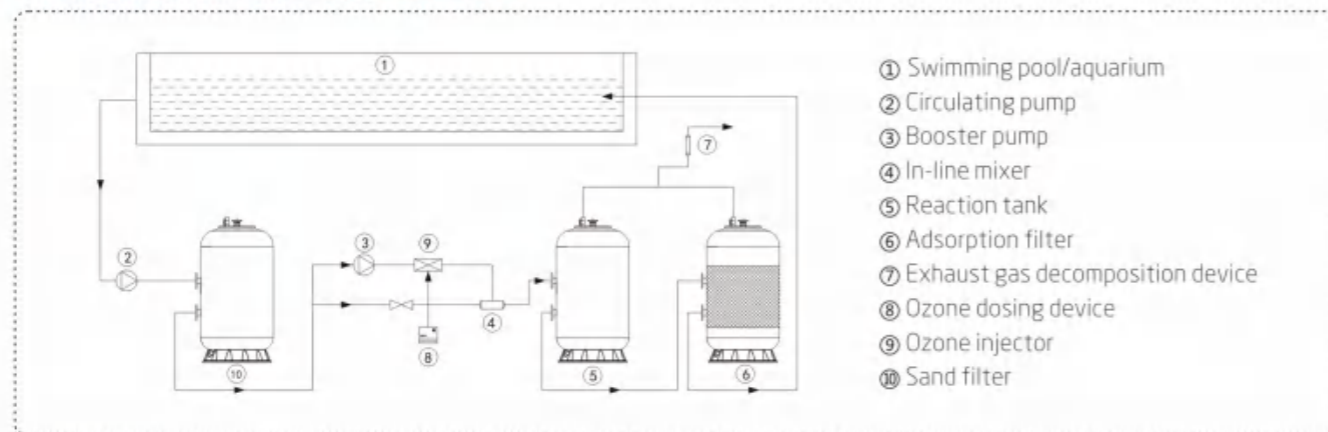
Max. temperature: 50°C(122F)

Features:

- The surface is constructed of UV-resistant and non-corrosive fiberglass filament winding.
- With non-corrosive internal layer.
- The full reaction of water and ozone can greatly improve the sterilization effect.



Ozone reactor working procedure



Technical parameters:

Model	Diameter (mm)	Water inlet/outlet size (mm)	Flow rate (m ³ /h)	Volume (m ³)
WL-OZ1532	800	63	18	0.63
WL-OZ1540	1000	63	33	1.12
WL-OZ1548	1200	90	45	1.53
WL-OZ2032	800	63	26	0.88
WL-OZ2040	1000	75	40	1.51
WL-OZ2048	1200	90	63	2.1

DEGASSING TOWER

Degassing tower can effectively remove harmful gases such as CO₂ and improve dissolved oxygen in the water. Design with large water flow, no pollution and easy to operate. Low investment cost, low operating cost and convenient installation. Degassing tower is specially designed for the aquarium and aquaculture according to water quality conditions and the characteristics of aquatic lives.



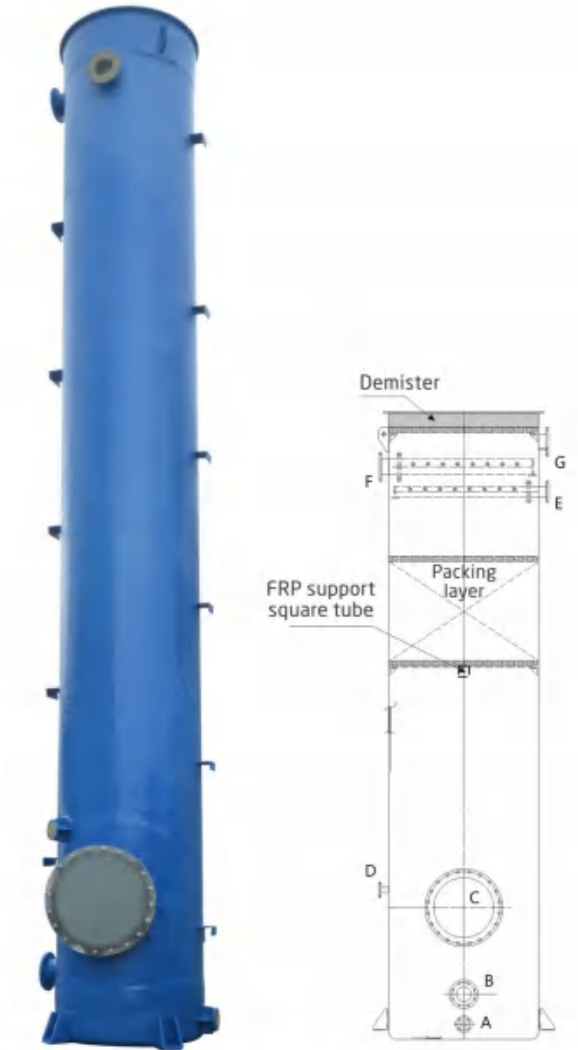
When the water temperature is too high, the aquatic lives breath faster and oxygen consumption increases.

Technical features

Pressure	Temperature	Material
Normal pressure	Normal temperature	FRP

Pipe connection

Code	Internal diameter	Material	Flange standard	Face type	Usage
A	50	FRP	HG20592-97 PN1.0	Raised face	Drainage outlet
B	150	FRP	HG20592-97 PN1.6	Raised face	Water outlet
C	600	FRP	Company standard	Flat surface	Manhole
D	40	FRP	HG20592-97 PN1.6	Raised face	Sensor port
E	100	FRP	HG20592-97 PN1.6	Raised face	Inlet for water from protein skimmer
F	150	FRP	HG20592-97 PN1.6	Raised face	Water inlet
G	150	FRP	HG20592-97 PN1.6	Raised face	Overflow port



CIRCULATING SYSTEM

The function of the pump is to make the water flow in the artificial water environment. After the physical filtration, protein separation, biochemical filtration, disinfection and heating, the water will become suitable for the normal life of aquatic organisms, and then return to the aquaculture pool, so that the organisms can live healthily.

HLLF series pump

CEP series pump

CSP series SS pump

HGP-E series seawater pump

KLBP series seawater pump

KBP series seawater pump

KAP series seawater pump

KUP series seawater pump

DPG series seawater pump

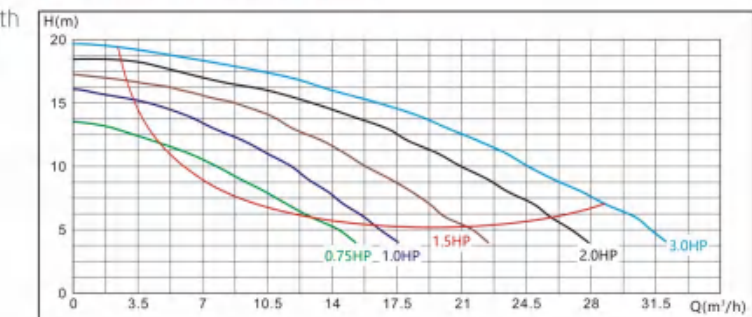
HLLF SERIES PUMP

Features:

- Polypropylene, which is widely used in the world leading pumps, has been adopted as pump housing material with the features of high temperature resistance and high pressure resistance, applicable for seawater conditions.
- Mechanical seal adopts ceramic carbon material which is resistant to high temperature and dry grinding. This not only enhances the pump shaft's sealing, but also increases the operational capacity of short-term dry run.
- The pump diffuser in cone shape and cambered surface ensures the operation of high head and mass flow, and at the same time effectively reduces cavitations as well as flow noises(The 0.75HP pump produces less than 65 dB noises).
- The impeller uses locknut and locating pin to increase the stability of its operation.
- Pump inlet/outlet with external thread can connect with metric/imperial pipe, more convenient to operate.
- Adopts high performance motor, built-in thermal protector and over current protection.
- The pump can bear 25000 times of impact test, excellent performance and reliable quality.



QH. Curve of The Pump



Product parameters

Model	Horsepower (HP)	Phase	Rated Power (KW)	Voltage (V)	Water inlet size (inch)	Water outlet size (inch)	L (mm)	W (mm)	H (mm)
WL-HLLF075M	0.75	1	0.6	220	1.5	1.5	595	200	295
WL-HLLF100M	1	1	0.75	220	1.5	1.5	595	200	295
WL-HLLF150M	1.5	1	1.1	220	1.5	1.5	605	200	295
WL-HLLF200M	2	1	1.5	220	2.0	2.0	605	200	295
WL-HLLF300M	3	1	2.2	220	2.0	2.0	605	200	295
WL-HLLF100T	1	3	0.75	380	1.5	1.5	595	200	295
WL-HLLF150T	1.5	3	1.1	380	1.5	1.5	605	200	295
WL-HLLF200T	2	3	1.5	380	2.0	2.0	605	200	295
WL-HLLF300T	3	3	2.2	380	2.0	2.0	605	200	295

CEP SERIES PUMP

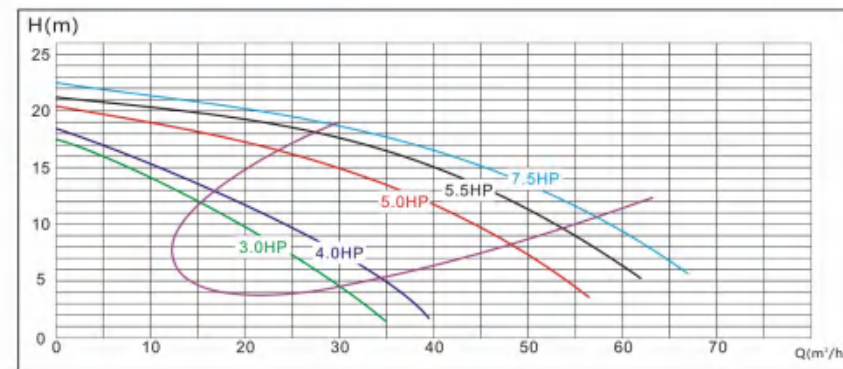
With the features of sufficient power, strong pollution absorption capacity, rust proof, water proof and leak proof, CEP series pump is easy to operate and maintain, it is suitable for various project of aquaculture and aquarium.



Features:

- Anti-rust crust can stop water penetrating the engine.
- Enough power, high head, big flux and high efficient circulation.
- Low noise and run quietly.
- The pump cover bears high airtight preventing the leaking.
- Strong suction capacity and large capacity strainer.
- The main part of the pump is made of special plastic which is durable in extreme low and high temperature.

QH. Curve of The Pump



Product parameters

Model	Horsepower (HP)	Phase	Rated Power (KW)	Voltage (V)	Water inlet size (inch)	Water outlet size (inch)	L (mm)	W (mm)	H (mm)
WL-CEP030T	3	3	2.5	380	2	2	660	330	360
WL-CEP040T	4	3	3	380	2	2	660	330	360
WL-CEP050T	5	3	3.8	380	2.5	2.5	710	330	360
WL-CEP055T	5.5	3	4	380	2.5	2.5	710	330	360
WL-CEP075T	7.5	3	5.5	380	2.5	2.5	740	330	360

CSP SERIES PUMP

CSP series pump is suitable for water circulation and filtration of all kinds of large and medium-sized aquaculture and aquarium project. The pump is made of stainless steel which is superior in quality. It is not affected by water vapor and corrosive materials, has a long service life. The inlet and outlet of the pump use flange connections for easy installation.



Features:

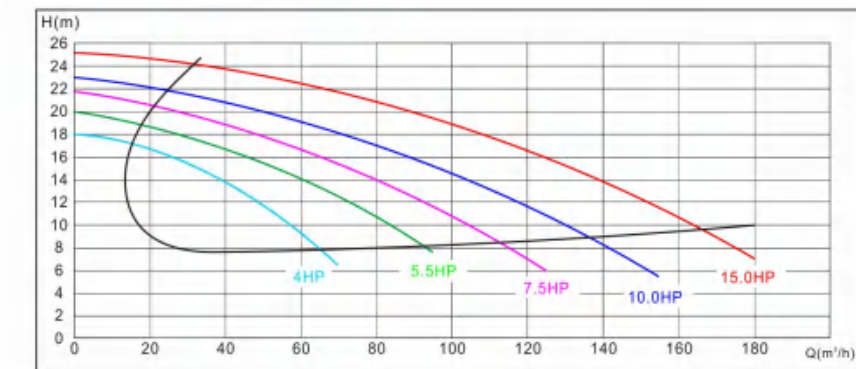
Materials

- Pump housing: Stainless steel AISI316
- Pre-filter basket: Stainless steel AISI316
- Shaft: Stainless steel AISI316
- Impeller: Stainless steel AISI316
- Mechanical seal: Graphite / Ceramic seal

Motor

- Asynchronous bipolar motor
- Enclosed type with exterior ventilation
- Speed: 2800rpm
- Waterproof: IP55

QH. Curve of The Pump



Product parameters

Model	Horsepower (HP)	Phase	Rated Power (KW)	Voltage (V)	Water inlet size (inch)	Water outlet size (inch)	L (mm)	W (mm)	H (mm)
WL-CSP040	4	3	3.0	380V/50Hz	90mm	90mm	730	280	420
WL-CSP055	5.5	3	4.0	380V/50Hz	90mm	90mm	730	280	420
WL-CSP075	7.5	3	5.5	380V/50Hz	90mm	90mm	730	280	420
WL-CSP100	10	3	7.5	380V/50Hz	90mm	90mm	800	280	440
WL-CSP150	15	3	11	380V/50Hz	90mm	90mm	800	280	420

HGP-E SERIES SEAWATER PUMP

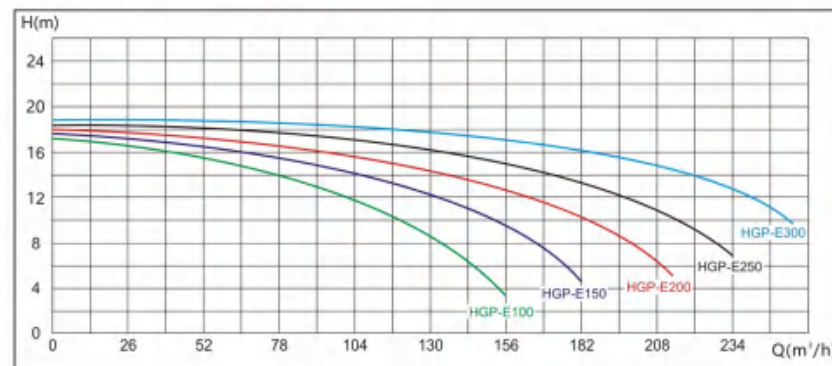
HGP-E series pump is new patented large flow self-priming plastic pump, adopts bionic turbo pump body design, maximizes the conversion of motor efficiency to deliver massive & smoothly water flow, max flow rate up to 260m³/h. Thickened body and spiral lock design, excellent bearing pressure performance, sturdy and durable. Imported bearings and high-quality mechanical seal, the motor operates more stable and quiet. Flange inlet and outlet, convenient for installation and operation, easy to maintain, all spare parts are available, suitable for seawater condition.

Features:

- Super water flow up to 260m³/h.
- Four-pole motor, speed: 1450RPM.
- High-quality mechanical seal, super quiet operation.
- Protection: IP55.
- Insulation: Class F.
- Bionic turbo pump body design.
- Excellent bearing pressure performance up to 6kg/cm².



QH. Curve of The Pump



Product parameters

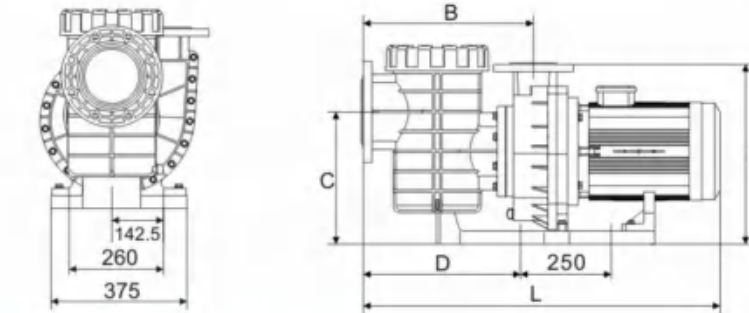
Model	Horsepower (HP)	Rated Power (KW)	Voltage (V)	Max. head (m)	Max. flow rate (m ³ /h)	RPM (r/min)	Water inlet size (inch)	Water outlet size (inch)
WL-HGP-E100	10.0	7.5	380V/50Hz	18	170	1450	150mm	125mm
WL-HGP-E150	15.0	11.0	380V/50Hz	18	185	1450	150mm	125mm
WL-HGP-E200	20.0	15	380V/50Hz	18	220	1450	150mm	125mm
WL-HGP-E250	25.0	18.5	380V/50Hz	18	240	1450	150mm	125mm
WL-HGP-E300	30.0	22	380V/50Hz	18	260	1450	150mm	125mm

KLBP SERIES SEAWATER PUMP

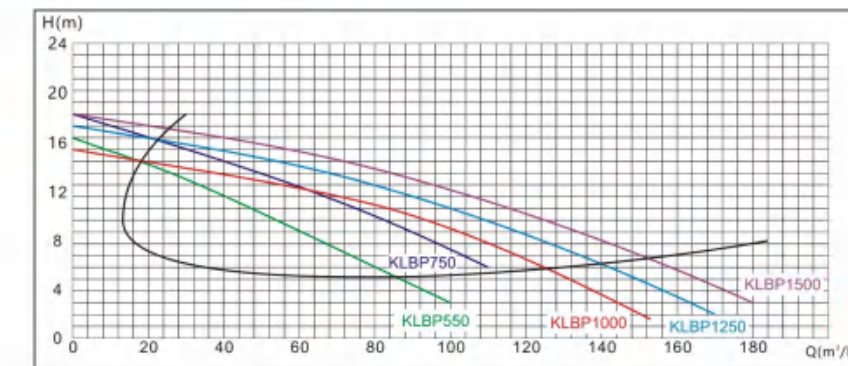
Specially designed for large scale freshwater / seawater aquarium and aquaculture, with strong and powerful motor, large flow design, meets the requirements of various fish and shrimp breeding.

Features:

- Protection: IP55.
- Excellent bearing pressure performance up to 6kg/cm².
- Shaft: Stainless steel 316.
- Mechanical seal: Graphite / Ceramic seal.
- Motor speed: 1450RPM.



QH. Curve of The Pump



Product parameters

Model	Horsepower (HP)	Rated Power (KW)	Voltage (V)	Water inlet size	Water outlet size	L (KW)	A (KW)	B (KW)	C (KW)	D (KW)
WL-KLBP550	5.5	4.0	380	DN125	DN80	810	481	441	365	402
WL-KLBP750	7.5	5.5	380	DN125	DN80	830	481	441	365	402
WL-KLBP1000	10.0	7.5	380	DN150	DN100	930	496	469	365	433
WL-KLBP1250	12.5	9.0	380	DN150	DN100	930	496	469	365	433
WL-KLBP1500	15.0	11.0	380	DN150	DN100	970	496	469	365	433

KBP SERIES SEAWATER PUMP

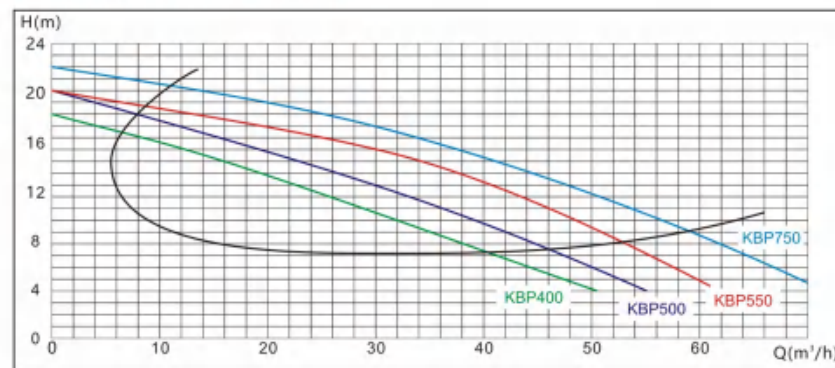
KBP seawater pump is a series of sturdy and durable pump with high head and sufficient flow. The body has strong sealing, corrosion resistance and pressure resistance. Suitable for all kinds of aquaculture ponds and seawater ponds.

Features:

- Protection: IP55.
- Large flow rate.
- Low noise level.
- Excellent bearing pressure performance up to 6kg/cm².
- Shaft: Stainless steel 316.
- Mechanical seal: Graphite / Ceramic seal.



QH. Curve of The Pump



Product parameters

Model	Horsepower (HP)	Rated Power (KW)	Voltage (V)	Connection size (inch)	Speed (rpm)	L (mm)	W (mm)	H (mm)
WL-KBP400	4	3.0	380	2.5"	2850	750	221	373
WL-KBP500	5	3.8	380	2.5"	2850	750	221	373
WL-KBP550	5.5	4.0	380	2.5"/3"	2850	770	221	373
WL-KBP750	7.5	5.5	380	2.5"/3"	2850	780	221	373

KAP SERIES SEAWATER PUMP

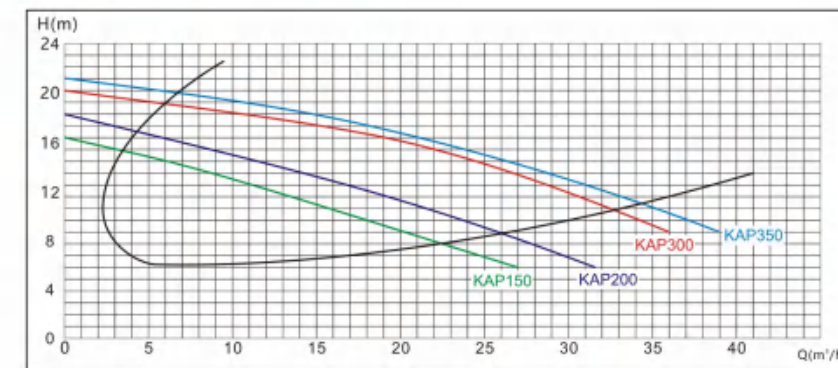
KAP series seawater pump is with simple design, easy to install and maintain. Adopts special impeller for greater suction efficiency. The body is constructed of special materials, with excellent bearing pressure performance up to 6kg/cm². Suitable for all kinds of aquaculture ponds and seawater ponds.

Features:

- Protection: IP55.
- Large flow rate.
- Low noise level.
- Excellent bearing pressure performance up to 6kg/cm².
- Shaft: Stainless steel 316.
- Mechanical seal: Graphite / Ceramic seal.



QH. Curve of The Pump



Product parameters

Model	Horsepower (HP)	Rated Power (KW)	Voltage (V)	Connection size (mm)	Weight (kg)	L (mm)	W (mm)	H (mm)
WL-KAP150	1.5	1.1	220	63	20.8	700	221	378
WL-KAP200	2	1.5	220	63	22.0	700	221	378
WL-KAP300	3	2.2	220/380	63	24.0	700	221	378
WL-KAP350	3.5	2.6	220/380	63	25.0	700	221	378

KUP SERIES SEAWATER PUMP

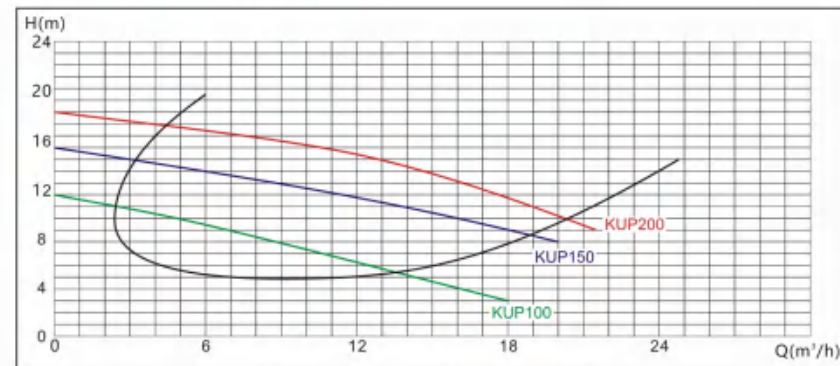
KUP series is used for water circulation in all kinds of small aquaculture and seawater pond, with enough horsepower and stable operation. The pump is constructed with corrosion resistant and high strength material, with excellent bearing pressure performance up to 6kg/cm². Suitable for all kinds of seawater condition.

Features:

- Protection: IP55.
- Large flow rate.
- Low noise level.
- Excellent bearing pressure performance up to 6kg/cm².
- Shaft: Stainless steel 316.
- Mechanical seal: Graphite / Ceramic seal.



QH. Curve of The Pump



Product parameters

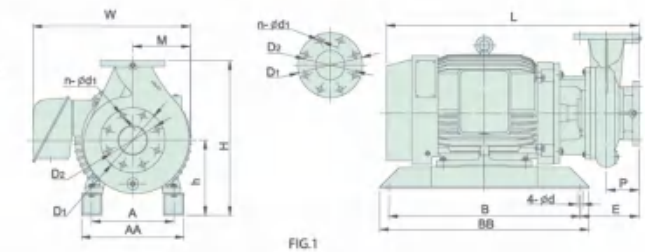
Model	Horsepower (HP)	Rated Power (KW)	Voltage (V)	Connection size (mm)	Weight (kg)	L (mm)	W (mm)	H (mm)
WL-KUP100	1	0.75	220	50	15.2	598.5	220	370
WL-KUP150	1.5	1.1	220	50	15.6	598.5	220	370
WL-KUP200	2	1.5	220	50	16.0	598.5	220	370

DPG SERIES SEAWATER PUMP

DPG series is used for water circulation in all kinds of large or small aquaculture and seawater pond, with enough horsepower and stable operation. The pump is constructed with corrosion resistant and high strength material, with excellent bearing pressure performance. Suitable for all kinds of seawater condition.

Features:

- With excellent hydraulic design impeller, the water flows more efficiently and the operation is more quiet.
- With the motor shaft as the pump shaft, the concentricity is reliable.
- Imported bearing, small vibration and low noise level.
- Single stage, single suction, horizontal centrifugal pump with closed impeller.
- Coaxial direct structure, high efficiency, small size, light weight, easy installation and maintenance.
- Mechanical seal, no damage to the axis, no water leakage and long service life.
- Made of double-phase steel, the corrosion resistance is stronger than 316L stainless steel.



Product parameters

Model	Speed (rpm)	Flow rate (m³/h)	Head (m)	Efficiency (%)	Electric power		Net positive suction head (m)	Connection size (mm)	Weight (kg)
					(hp)	(kW)			
WL-DPG-32-50	1450	8.6	16.5	39	2	1.5	2.5	50	63
		10.8	15	44			2.5		
		13.0	14	43			3.0		
WL-DPG-33-50	1450	7.5	21	35	3	2.2	2.5	50	68
		12.5	20	46			2.5		
		15	19.4	45			3.0		
WL-DPG-32-65	1450	18.7	11.8	56	2	1.5	2.5	65	53
		23.4	11	63			2.5		
		28	10.2	62			3.0		
WL-DPG-33-65	1450	18.7	18.3	53	3	2.2	2.5	65	74
		23.4	17	58			2.5		
		28	15.5	52			3.0		
WL-DPG-35-65(1)	1450	20	22	54	5	3.7	2.5	65	105
		25	20	60			2.5		
		30	18.5	59			3.0		
WL-DPG-35-65	1450	17	27	42	5	3.7	2.5	65	105
		21.4	25	47			2.5		
		25.6	22.5	45			3.0		
WL-DPG-37-65	1450	20	33	48	7.5	5.5	2.5	65	130
		25	32	54			2.5		
		30	30.8	53			3.0		

Product parameters

Model	Speed (rpm)	Flow rate (m ³ /h)	Head (m)	Efficiency (%)	Electric power		Net positive suction head (m)	Connection size (mm)	Weight (kg)
					(hp)	(kW)			
WL-DPG-33-80	1450	32	14	56	3	2.2	2.0	80	83
		40	12	63			2.0		
		48	9	62			2.5		
WL-DPG-35-80	1450	37	18.7	59	5	3.7	2.0	80	96
		46.7	17	64			2.0		
		56	16.6	63			2.5		
WL-DPG-37-80	1450	40	22	60	7.5	5.5	2.0	80	109
		50	20	66			2.0		
		60	18	65			2.5		
WL-DPG-310-80	1450	37	30	56	10	7.5	2.0	80	144
		46.7	28	62			2.0		
		56	26.5	61			2.5		
WL-DPG-315-80	1450	40	34.2	60	15	11	2.0	80	188
		50	32	64			2.0		
		60	29	63			2.5		
WL-DPG-35-100	1450	69.2	10.5	66	5	3.7	2.5	100	100
		86.5	9.5	71			2.5		
		103.8	8	70			3.0		
WL-DPG-37-100	1450	69.2	16.6	67	7.5	5.5	2.5	100	126
		89.5	15	73			2.5		
		103.8	13.2	72			3.0		
WL-DPG-310-100	1450	74.8	18.5	69	10	7.5	2.5	100	140
		93.5	17.5	74			2.5		
		112.2	16	73			3.0		
WL-DPG-315-100	1450	72.6	27.2	62	15	11	2.5	100	198
		90.8	25.8	69			2.5		
		109	22.8	68			3.0		
WL-DPG-320-100	1450	80	33.5	67	20	15	2.5	100	227
		100	32	72			2.5		
		120	29.5	71			3.0		
WL-DPG-325-100	1450	72	40	58	25	18.5	2.5	100	320
		90	38	62			2.5		
		108	35.5	61			3.0		
WL-DPG-330-100	1450	76	47	58	30	22	2.5	100	342
		95	44	64			2.5		
		114	38	63			3.0		
WL-DPG-35-150	1450	96	8	67	5	3.7	3.0	150	112
		120	7	73			3.0		
		144	5	72			3.5		
WL-DPG-37-150	1450	108	11	71	7.5	5.5	3.0	150	202
		130	10	75			3.0		
		156	9	74			3.5		
WL-DPG-315-150	1450	107	15	71	10	7.5	3.0	150	151
		134	14	79			3.0		
		160	12.5	78			3.5		

Product parameters

Model	Speed (rpm)	Flow rate (m ³ /h)	Head (m)	Efficiency (%)	Electric power		Net positive suction head (m)	Connection size (mm)	Weight (kg)
					(hp)	(kW)			
WL-DPG-315-150	1450	120	18.5	74	15	11	2.5	150	202
		147	17	81			2.5		
		180	15	80			3.0		
WL-DPG-35-80	1450	120	21.5	75	20	15	2.5	150	232
		160	20	82			2.5		
		192	18	81			3.0		
WL-DPG-37-80	1450	120	30	66	25	18.5	2.5	150	284
		150	28	73			2.5		
		180	25	72			3.0		
WL-DPG-310-80	1450	108	38	69	30	22	3.0	150	322
		130	36	71			3.0		
		156	33	70			3.5		
WL-DPG-315-80	1450	128	34.8	68	30	22	2.5	150	310
		160	32	74			2.5		
		192	28	73			3.0		
WL-DPG-35-100	1450	120	48.5	66	40	30	3.0	150	373
		150	45	72			3.0		
		180	41	71			3.5		
WL-DPG-37-100	1450	133	15	68	15	11	3.0	200	215
		167	14	76			3.0		
		200	13	75			3.5		
WL-DPG-310-100	1450	148	19	72	20	15	2.5	200	237
		185	17	78			2.5		
		222	15	77			3.0		
WL-DPG-315-100	1450	160	21.5	72	25	18.5	2.5	200	308
		200	20	80			2.5		
		240	18	78			3.0		
WL-DPG-320-100	1450	148	31	72	30	22	3.0	200	324
		185	28	78			3.0		
		222	24	77			3.5		
WL-DPG-325-100	1450	136	41	66	40	30	2.5	200	360
		170	38	72			2.5		
		204	34	71			3.0		
WL-DPG-330-100	1450	160	34.6	72	40	30	3.0	200	336
		200	32	79			3.0		
		240	30	78			3.5		
WL-DPG-35-150	1450	144	46.5	69	50	37	3.0	200	532
		180	44	75			3.5		
		216	40.5	73			4.0		
WL-DPG-37-150	1450	176	43	70	50	37	3.0	200	462
		200	40	76			3.5		
		164	36	74			4.0		
WL-DPG-315-150	1450	240	52	72	100	75	4.5	200	782
		300	50	79			4.5		
		400	47	78			5.0		

Product parameters

Model	Speed (rpm)	Flow rate (m ³ /h)	Head (m)	Efficiency (%)	Electric power		Net positive suction head (m)	Connection size (mm)	Weight (kg)
					(hp)	(kW)			
WL-DPG-320-250	1450	240	13	73	20	15	3.0	250	290
		300	12	75			3.5		
		360	10	69			4.0		
WL-DPG-325-250	1450	264	15	75	25	18.5	4.0	250	334
		330	14	78			5.0		
		396	13	77			6.0		
WL-DPG-330-250	1450	288	18	73	30	22	4.0	250	351
		360	16	79			5.0		
		432	14	78			6.0		
WL-DPG-340-250	1450	320	22	74	40	30	3.0	250	416
		400	20	80			3.5		
		480	17	79			5.0		
WL-DPG-350-250	1450	304	28	72	50	37	3.5	250	476
		380	26	78			4.0		
		456	22	77			5.0		
WL-DPG-360-250(1)	1450	264	40	73	60	45	5.0	250	536
		330	35	79			5.0		
		396	28	78			5.5		
WL-DPG-360-250	1450	320	31	72	60	45	3.5	250	536
		400	28	78			4.0		
		480	24	77			5.0		
WL-DPG-375-250(1)	1450	288	43	75	75	55	5.0	250	578
		360	40	80			5.5		
		432	35	79			5.2		
WL-DPG-375-250	1450	320	34.5	75	75	55	5.0	250	578
		400	32	81			5.5		
		480	28.5	80			6.0		
WL-DPG-3100-250	1450	320	56	75	100	75	5.0	250	830
		480	42	80			5.5		
		500	19.5	74			5.5		
WL-DPG-360-300	1450	600	17	79	60	45	5.5	300	623
		700	15	76.5			5.5		
		480	25	76			6.0		
WL-DPG-375-300	1450	600	23	81	75	55	6.0	300	770
		720	20	80			6.0		
		528	31	74			6.0		
WL-DPG-3100-300	1450	660	28	80	100	75	6.0	300	910
		792	25.5	79			6.0		
		528	43	75			5.0		
WL-DPG-3125-300	1450	660	40	81	125	90	5.0	300	1015
		792	33	80			5.5		
		576	34	75			5.0		
WL-DPG-3125-300	1450	720	32	80	125	90	5.0	300	1015
		864	27	79			5.5		

Product parameters

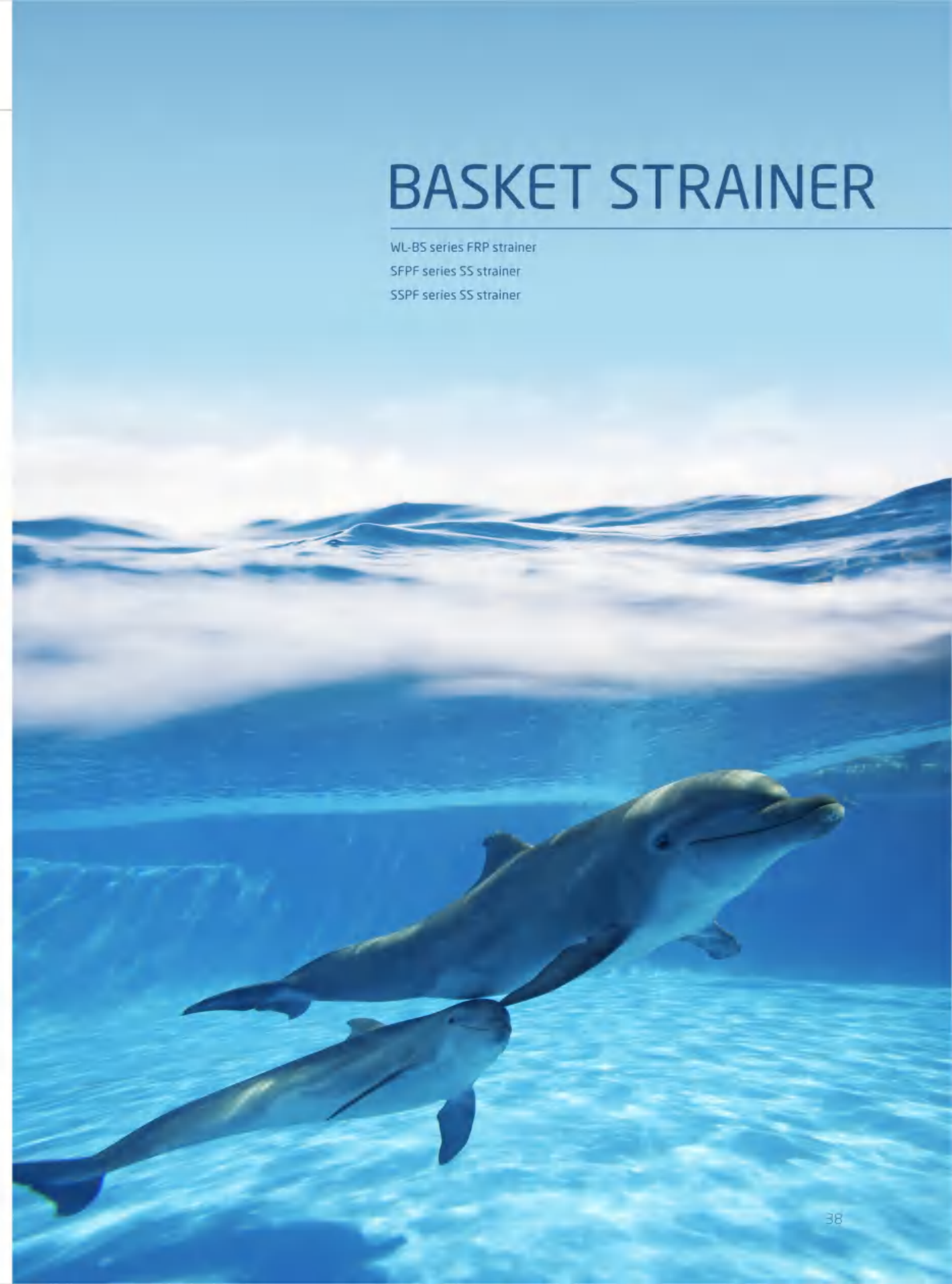
Model	FIG.	A	AA	B	BB	d	E	H	h	L	M	P	W	D1	D2	n-Φd1
WL-DPG-30-25	1	112	159	250	290	14	92	221	101	341.5	86	60	216	15	85	4-Φ14
WL-DPG-31-40	1	125	177	290	342	14	86.5	240	110	371	95.5	65	242	150	110	4-Φ18
WL-DPG-32-40	1	140	192	290	342	14	104.5	250	120	408	103.5	65	268	150	110	4-Φ18
WL-DPG-31-50	1	125	177	290	342	14	86.5	240	110	371	95.5	65	242	150	125	4-Φ18
WL-DPG-32-50	1	140	192	290	342	14	125.5	260	120	429	104	80	268	165	125	4-Φ18
WL-DPG-33-50	1	140	210	290	340	14	142.5	345	165	446	132	92	296	165	125	4-Φ18
WL-DPG-35-50	1	190	252	390	436	18	125	325	145	502.5	132	92	312	165	125	4-Φ18
WL-DPG-37-50	1	216	278	390	436	18	138	345	165	544	143	92	355	165	125	4-Φ18
WL-DPG-310-50	1	216	266	390	450	14	168	387	187	575	157	100	381	185	125	4-Φ18
WL-DPG-32-65	1	140	192	290	342	14	125.5	280	120	429	110	80	275	185	145	4-Φ18
WL-DPG-33-65	1	140	192	290	342	14	125.5	325	145	429	110	90	275	185	145	4-Φ18
WL-DPG-36-65	1	190	252	390	436	18	125	367	187	503	132	92	312	185	145	4-Φ18
WL-DPG-37-65	1	216	278	390	436	18	138	345	165	544	143	92	356	185	145	4-Φ18
WL-DPG-310-65	1	216	278	390	436	18	153	345	165	559	142	92	353	185	145	4-Φ18
WL-DPG-315-65	1	254	324	500	560	18	166	460	235	696	161	100	436	185	145	4-Φ18
WL-DPG-320-65	1	254	324	500	560	18	166	460	235	696	161	100	436	185	145	4-Φ18
WL-DPG-33-80	1	140	192	290	342	14	151.5	280	120	455	127	100	291	200	160	8-Φ18
WL-DPG-35-80	1	190	252	390	436	18	134	305	145	511.5	128	100	308	200	160	8-Φ18
WL-DPG-37-80	1	216	278	390	436	18	153	385	165	559	148	100	361	200	160	8-Φ18
WL-DPG-310-80	1	216	278	390	436	18	168	385	165	574	148	100	359	200	160	8-Φ18
WL-DPG-315-80	1	254	324	500	560	18	166	455	235	696	173	100	448	200	160	8-Φ18
WL-DPG-320-80	1	254	324	500	560	18	166	495	235	696	173	100	448	200	160	8-Φ18
WL-DPG-325-80	1	254	324	500	560	18	247	495	235	800	173	100	448	200	160	8-Φ18
WL-DPG-330-80	1	279	349	580	640	18	201.5	525	255	816.5	199	100	539	200	160	8-Φ18
WL-DPG-340-80	1	279	349	650	710	18	202.2	545	255	861	204	110	544	220	160	8-Φ16
WL-DPG-350-80	1	318	388	650	710	18	226.5	575	275	926	214	110	579.5	220	160	8-Φ18
WL-DPG-35-100	1	190	260	290	340	14	193	367	187	520.5	148	100	328	220	180	8-Φ18
WL-DPG-37-100	1	216	278	390	436	18	156	345	165	562	148	100	361	220	180	8-Φ18
WL-DPG-310-100	1	216	278	390	436	18	171	345	165	577	148	100	359	220	180	8-Φ18
WL-DPG-315-100	1	254	324	500	560	18	169	460	235	699	161	100	436	220	180	8-Φ18
WL-DPG-320-100	1	254	324	500	560	18	169	460	235	699	161	100	436	220	180	8-Φ18
WL-DPG-325-100	1	254	324	500	560	18	269	505	235	822	192	110	467	220	180	8-Φ18
WL-DPG-330-100	1	279	349	580	640	18	217.5	525	255	832.5	199	110	539	220	180	8-Φ18
WL-DPG-340-100	1	279	349	650	710	18	199.5	525	255	858	196	110	536	220	180	8-Φ18
WL-DPG-350-100	1	318	388	650	710	18	226.5	565	275	926	204	110	568	220	180	8-Φ18
WL-DPG-360-100	1	318	388	650	710	18	226.5	565	275	926	205	110	569	220	180	8-Φ18
WL-DPG-375-100	1	356	456	750	810	24	175	632	332	935	245	110	640	220	180	8-Φ18
WL-DPG-340-150	1	279	349	650	710	18	227.5	535	255	886	206	140	546	285	240	8-Φ22
WL-DPG-350-150	1	318	388	650	710	18	251.5	555	275	951	206	140	571	285	240	8-Φ22
WL-DPG-360-150	1	318	388	650	710	18	251.5	555	275	951	206	140	571	285	240	8-Φ22
WL-DPG-375-150	1	356	456	750	810	24	206	632	332	966	245	140	640	285	240	8-Φ22
WL-DPG-3100-150	1	406	506	750	810	24	237.5	657	357	1059.5	255	140	785	285	240	8-Φ22

Product parameters

Model	FIG.	A	AA	B	BB	d	E	H	h	L	M	P	W	D1	Dz	n-Φd1
WL-DPG-32-50	1	140	203	290	340	14	154.5	397	197	473.5	157	100	314	185	125	4-Φ14
WL-DPG-33-50	1	160	230	290	340	14	183	375	175	509.5	157	100	336	185	125	4-Φ18
WL-DPG-32-65	1	140	210	290	340	14	139.5	345	165	443	132	92	302	185	145	4-Φ18
WL-DPG-33-65	1	160	230	290	340	14	183	400	175	503	161	100	325	185	145	4-Φ18
WL-DPG-35-65(1)	1	190	253	290	340	14	192	469	219	515	180	100	366	200	145	4-Φ18
WL-DPG-35-65	1	190	253	290	340	14	192	469	219	515	180	100	366	200	145	4-Φ18
WL-DPG-37-65	1	216	286	390	440	14	174	467	207	580	194	100	411	200	145	4-Φ18
WL-DPG-33-80	1	160	230	290	340	14	183	435	175	503	173	100	337	200	160	8-Φ18
WL-DPG-35-80	1	190	260	390	440	14	140	447	187	513	173	100	359	200	160	8-Φ18
WL-DPG-37-80	1	216	286	390	440	14	180	477	207	580	192	100	409	200	160	8-Φ18
WL-DPG-310-80	1	216	286	390	450	14	193	497	207	618	201	100	418	200	160	8-Φ18
WL-DPG-315-80	1	254	324	500	560	18	172	525	235	702	201	100	476	200	160	8-Φ18
WL-DPG-35-100	1	190	260	390	440	14	160	457	187	535	192	110	378	220	180	8-Φ18
WL-DPG-37-100	1	216	286	390	440	14	190	477	207	596	192	110	409	220	180	8-Φ18
WL-DPG-310-100	1	216	286	390	440	14	209	477	207	634	192	110	409	220	180	8-Φ18
WL-DPG-315-100	1	254	324	500	560	18	191	535	235	721	214	110	490	220	180	8-Φ18
WL-DPG-320-100	1	254	324	500	560	18	213	535	235	765	214	110	490	220	180	8-Φ18
WL-DPG-325-100	1	279	359	580	640	18	220.5	652	312	831	256	110	560	220	180	8-Φ18
WL-DPG-330-100	1	279	359	580	640	18	220.5	652	312	831	256	110	560	220	180	8-Φ18
WL-DPG-35-150	1	190	253	390	450	14	190	499	219	563	206	140	392	285	240	8-Φ22
WL-DPG-37-150	1	216	286	390	450	14	218	487	207	624	206	140	423	285	240	8-Φ22
WL-DPG-310-150	1	216	286	390	450	14	237	487	207	662	206	140	423	285	240	8-Φ22
WL-DPG-315-150	1	254	324	500	560	18	216	515	235	746	206	140	481	285	240	8-Φ22
WL-DPG-320-150	1	254	324	500	560	18	244	535	235	796	227	140	503	285	240	8-Φ22
WL-DPG-325-150	1	279	349	580	640	18	243	605	255	858	249	125	589	285	240	8-Φ22
WL-DPG-330-150(1)	1	279	359	580	640	18	259	667	287	874	268	140	608	285	240	8-Φ22
WL-DPG-330-150	1	279	349	580	640	18	243	605	255	858	249	125	590	285	240	8-Φ22
WL-DPG-340-150	1	279	359	650	710	18	241	667	287	899	268	140	608	285	240	8-Φ22
WL-DPG-315-200	1	254	324	500	560	18	254	535	235	784	241	160	516	340	295	8-Φ22
WL-DPG-320-200	1	254	324	500	560	18	276	535	235	828	241	160	516	340	295	8-Φ22
WL-DPG-325-200	1	279	359	580	640	18	284	607	287	898.5	255	160	595	340	295	8-Φ22
WL-DPG-330-200	1	279	359	580	640	18	284	647	287	898.5	268	160	608	340	295	8-Φ22
WL-DPG-340-200(1)	1	279	359	650	710	18	266	678	287	924	286	160	626	340	295	8-Φ22
WL-DPG-340-200	1	279	359	650	710	18	266	647	287	924	268	160	608	340	295	8-Φ22
WL-DPG-350-200(1)	1	318	398	650	710	18	290	697	307	989	287	160	652	340	295	8-Φ22
WL-DPG-350-200	1	318	398	650	710	18	290	697	307	989	287	160	652	340	295	8-Φ22
WL-DPG-3100-200	1	460	500	600	790	24	204.5	926	486	1153.5	321	200	852	340	295	8-Φ22
WL-DPG-320-250	1	254	334	580	640	18	291	647	267	883	303	205	580	395	350	12-Φ22
WL-DPG-325-250	1	279	359	580	640	18	338.5	667	287	953.5	304	205	644	395	350	12-Φ22
WL-DPG-330-250	1	279	359	580	640	18	338.5	667	287	953.5	304	205	644	395	350	12-Φ22
WL-DPG-340-250	1	279	359	650	710	18	326	762	312	984	331	200	671	395	350	12-Φ22
WL-DPG-350-250	1	318	398	650	710	18	350	757	307	1049	331	200	696	395	350	12-Φ22
WL-DPG-360-250(1)	2	360	400	550	735	18	212	865	415	1049	318	200	683	395	350	12-Φ22
WL-DPG-360-250	2	360	400	550	735	18	212	865	415	1049	318	200	683	395	350	12-Φ22
WL-DPG-375-250(1)	2	410	450	550	730	18	203	865	415	1058	319	200	714	395	350	12-Φ22
WL-DPG-375-250	2	410	450	550	730	18	203	865	415	1058	319	200	714	395	350	12-Φ22
WL-DPG-3100-250	2	460	500	600	790	24	204.5	986	486	1154	360	200	890	395	350	12-Φ22
WL-DPG-360-300	1	410	450	550	750	18	257	970	450	1099	378	230	743	445	400	12-Φ23
WL-DPG-375-300	2	410	450	550	735	19	258	975	455	1108	381	230	776	445	400	12-Φ22
WL-DPG-3100-300	2	460	500	600	810	24	252.5	1006	486	1202	381	230	911	445	400	12-Φ22
WL-DPG-3125-300(1)	2	540	580	680	875	24	285.5	1096	516	1241	383	230	913	445	400	12-Φ22
WL-DPG-3125-300	2	540	580	680	890	24	303.5	1012	492	1259	381	230	911	445	400	12-Φ23

BASKET STRAINER

- WL-BS series FRP strainer
- SFPF series SS strainer
- SSPF series SS strainer

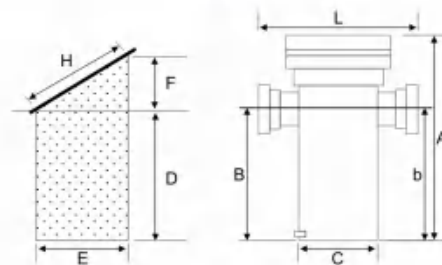


WL-BS SERIES FRP STRAINER

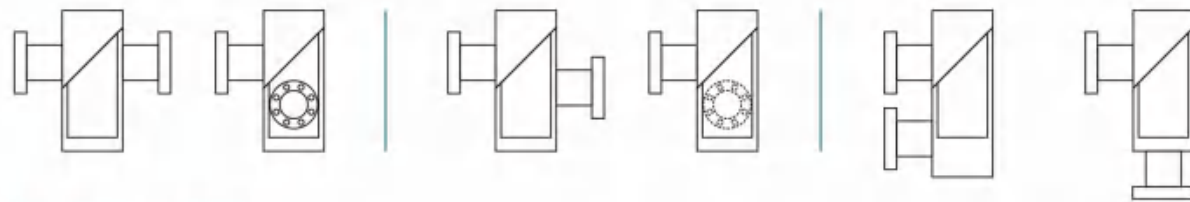
Basket strainer is used as pre-filter to remove hair, fiber and large suspended solids in water, to protect the pump and ensure the normal operation of the whole water treatment system.

Features:

- Main body material: UPVC+FRP
- Max. pressure: 100 psi/6.8 bar
- Filter screen material: 316SS/titanium alloy
- Ambient temperature: $\leq 50^{\circ}\text{C}$
- Hardware: 316SS
- Application: Chemical, seawater filtration
- Water inlet & outlet: UPVC flange, outlet position can be customized.
- Filter basket hole: 6mm (Hole center distance 9mm), or can be customized.



Styles can be customized:



Product parameters

Model	Water inlet DN	Water outlet DN	Main body				Filter basket					
			Outer diameter Ø C mm	Inlet height B mm	Outlet height b mm	Total width L mm	Total height A mm	Outer diameter Ø E mm	45-degree height F mm	(Straight) Height D mm	(Total) Height F+D mm	Length H mm
WL-BS50-50	50	50	110	175	175	230	370	80	80	70	150	126
WL-BS80-80	80	80	160	245	245	320	500	100	110	100	210	182
WL-BS100-100	100	100	160	335	335	345	590	110	120	180	300	188
WL-BS150-150	150	150	225	420	420	450	705	160	170	230	400	266
WL-BS150-125	150	125	225	420	420	450	705	160	170	230	400	266
WL-BS150-100	150	100	225	420	420	450	705	160	170	230	400	266
WL-BS200-200	200	200	315	575	575	625	940	225	235	315	550	373
WL-BS200-150	200	150	315	575	575	625	940	225	235	315	550	373
WL-BS200-125	200	125	315	575	575	625	940	225	235	315	550	373
WL-BS250-250	250	250	400	550	550	700	1050	280	260	290	550	450
WL-BS250-200	250	200	400	550	550	700	1050	280	260	290	550	450
WL-BS250-150	250	150	400	550	550	700	1050	280	260	290	550	450
WL-BS300-300	300	300	400	700	700	780	1200	320	340	380	720	503
WL-BS300-250	300	250	400	700	700	780	1200	320	340	380	720	503

SFPF SERIES FRP STRAINER

Basket strainer is used as pre-filter to remove hair, fiber and large suspended solids in water, to protect the pump and ensure the normal operation of the whole water treatment system.

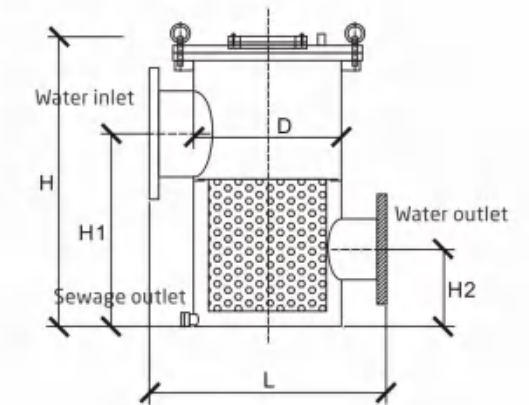
Operating principle:

The strainer is equipped with a built in filter basket. When the raw water passes through, the solid impurity particles are blocked in the strainer and the clean water flows out. The bottom provided with a sewage outlet, the debris, hair, fibers and other big impurities could be drained from here, and the filter basket can be removed from inside for cleaning.



Features:

- Quick open design.
- Clear lid with easy access allows for simple visibility of debris.
- Stainless steel filter basket, easy for cleaning.
- Total area of filter tube hole: more than 2.5 times of cross-section area of connecting pipe.



Product parameters

Model	Diameter D(mm)	Height H(mm)	Height of water inlet H1(mm)	Height of water outlet H2(mm)	Water inlet size DN(mm)	Water outlet size DN(mm)	Width L(mm)
WL-SFPF219	219	550	350	150	80	50-80	419
WL-SFPF273	273	600	400	200	100	65-100	473
WL-SFPF273	273	600	400	200	125	65-125	473
WL-SFPF273	273	600	400	200	150	80-150	473
WL-SFPF300	300	700	450	200	125	80-125	500
WL-SFPF300	300	700	450	200	150	100-150	500
WL-SFPF350	350	750	530	230	150	100-150	550
WL-SFPF350	350	750	530	230	200	150-200	550
WL-SFPF400	400	750	550	250	200	150-200	600
WL-SFPF400	400	750	550	250	250	150-250	600
WL-SFPF450	450	800	550	250	250	200-250	650
WL-SFPF500	500	900	600	300	300	250-300	700
WL-SFPF600	600	1100	750	350	400	300-400	800

SSPF SERIES FRP STRAINER

Basket strainer is used as pre-filter to remove hair, fiber and large suspended solids in water, to protect the pump and ensure the normal operation of the whole water treatment system.

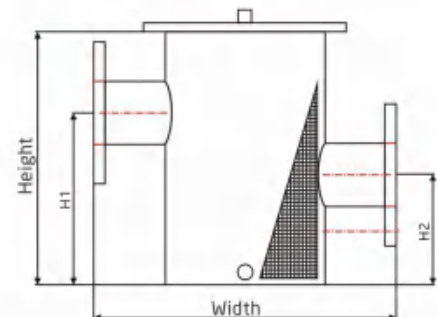
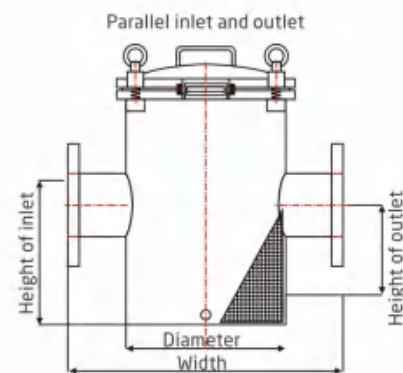
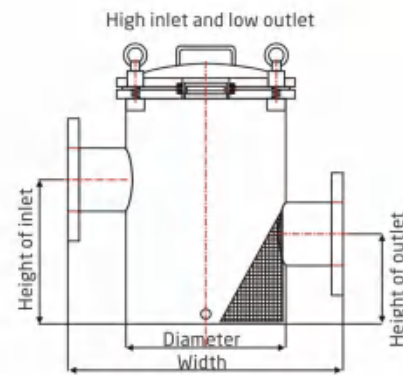
Operating principle:

The strainer is equipped with a built in filter basket. When the raw water passes through, the solid impurity particles are blocked in the strainer and the clean water flows out. The bottom provided with a sewage outlet, the debris, hair, fibers and other big impurities could be drained from here, and the filter basket can be removed from inside for cleaning.



Features:

- Stainless steel body and filter basket, high strength and corrosion resistance, suitable for seawater environment.
- Quick open design, convenient for cleaning and maintenance.
- Standard flange connection for easy installation.
- Clear lid with easy access allows for simple visibility of debris.
- Customizable dimensions and features.



High inlet and low outlet type

Model	Diameter D(mm)	Height H(mm)	Height of water inlet H1(mm)	Height of water outlet H2(mm)	Water inlet size DN(mm)	Water outlet size DN(mm)	Width L(mm)
WL-SSGF159	159	250	165	85	DN32	DN32	359
WL-SSGF159	159	250	165	85	DN40	DN40	359
WL-SSGF159	159	250	165	85	DN50	DN50	359
WL-SSGF219	219	350	230	120	DN65	DN65	419
WL-SSGF219	219	350	230	120	DN80	DN80	419
WL-SSGF273	273	400	265	135	DN100	DN100	473
WL-SSGF273	273	400	265	135	DN125	DN125	473
WL-SSGF273	273	400	265	135	DN150	DN150	473
WL-SSGF325	325	490	330	160	DN200	DN200	525
WL-SSGF400	400	520	340	160	DN250	DN250	600

Parallel inlet and outlet type

Model	Diameter D(mm)	Height H(mm)	Height of water inlet H1(mm)	Height of water outlet H2(mm)	Water inlet size DN(mm)	Water outlet size DN(mm)	Width L(mm)
WL-SSPF159	159	250	125	125	DN32	DN32	359
WL-SSPF159	159	250	125	125	DN40	DN40	359
WL-SSPF159	159	250	125	125	DN50	DN50	359
WL-SSPF219	219	350	175	175	DN65	DN65	419
WL-SSPF219	219	350	175	175	DN80	DN80	419
WL-SSPF273	273	400	200	200	DN100	DN100	473
WL-SSPF273	273	400	200	200	DN125	DN125	473
WL-SSPF273	273	400	200	200	DN150	DN150	473
WL-SSPF325	325	490	246	246	DN200	DN200	525
WL-SSPF400	400	520	260	260	DN250	DN250	600

DISINFECTION SYSTEM

UVD series UV sterilizer for seawater

UVX series UV sterilizer for seawater

UVM series UV sterilizer for seawater

UVC full flow UV sterilizer

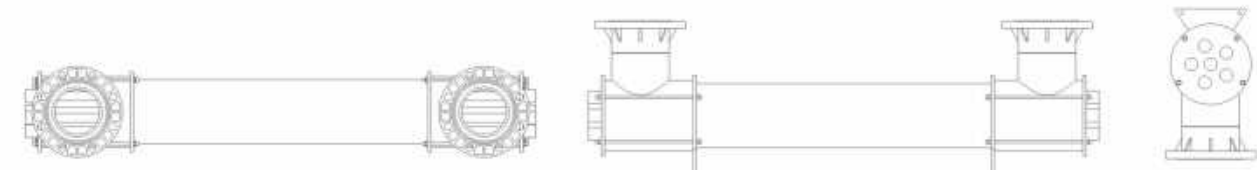
UVD SERIES UV STERILIZER FOR SEAWATER

The housing is made of PVC, the internal reactor is made of polished and passivated stainless steel, which is corrosion resistant and durable. Equipped with high quality UV lamps to ensure high efficient and long term sterilization. The disinfection process is fully closed, no chemical reaction and by-products. Suitable for aquarium, aquaculture, swimming pools, hot springs and other water environments.



Features:

- High quality UV-C lamp which can achieve 99% sterilization rate.
- Stable and accurate dosage, service life of lamp is more than 10,000 hours.
- Excellent quartz tube provides transmittance over 99%.
- Safe and reliable operation, simplified operation and reduced maintenance.



Product parameters

Model	Flow rate (m ³ /h)	Total power (W)	Voltage (V)	Connection size (mm)
WL-UVD300	25	300	220/50Hz	DN100
WL-UVD600	60	600	220/50Hz	DN150
WL-UVD900	80	900	220/50Hz	DN150
WL-UVD1200	100	1200	220/50Hz	DN200
WL-UVD1500	120	1500	220/50Hz	DN200
WL-UVD1800	140	1800	220/50Hz	DN200
WL-UVD2100	160	2100	220/50Hz	DN250
WL-UVD2400	180	2400	220/50Hz	DN250
WL-UVD2700	200	2700	220/50Hz	DN250
WL-UVD3000	250	3000	220/50Hz	DN300

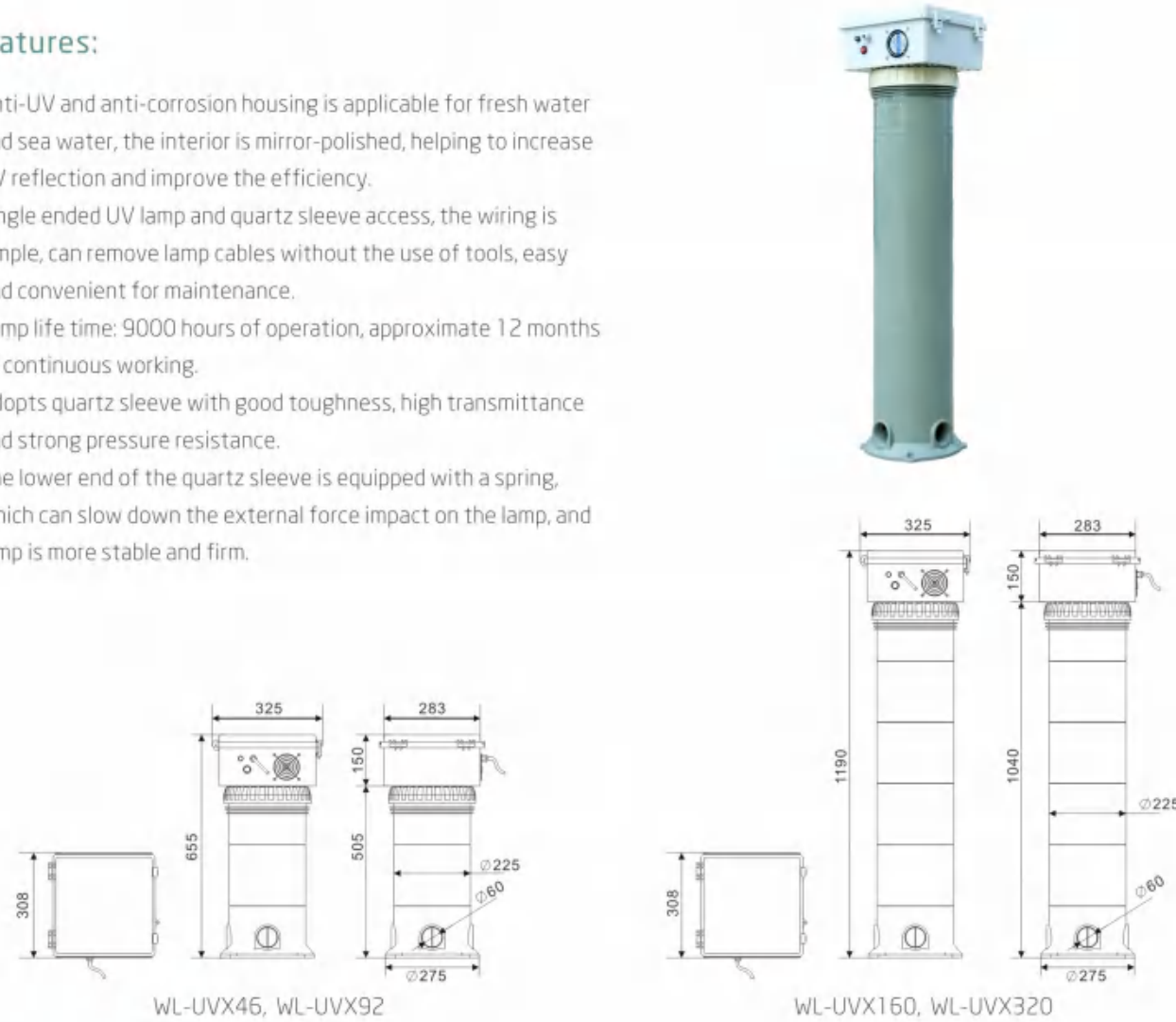
Working temperature: 5-40°C, Working pressure: 2.8kg/cm².

UVX SERIES UV STERILIZER FOR SEAWATER

Specially designed for sea water environment. The housing is made of high quality PVC, which is anti-corrosion and durable. Equipped with UV-C lamp and high purity quartz sleeves for high efficient and long term sterilization. The disinfection process is fully closed, with sound and light alarm device, no chemical reaction and by-products.

Features:

- Anti-UV and anti-corrosion housing is applicable for fresh water and sea water, the interior is mirror-polished, helping to increase UV reflection and improve the efficiency.
- Single ended UV lamp and quartz sleeve access, the wiring is simple, can remove lamp cables without the use of tools, easy and convenient for maintenance.
- Lamp life time: 9000 hours of operation, approximate 12 months of continuous working.
- Adopts quartz sleeve with good toughness, high transmittance and strong pressure resistance.
- The lower end of the quartz sleeve is equipped with a spring, which can slow down the external force impact on the lamp, and lamp is more stable and firm.



Product parameters

Model	Flow rate (m ³ /h)	Total power (W)	Voltage (V)	Connection size (mm)
WL-UVX46	5	46	220/50Hz	DN63
WL-UVX92	8	92	220/50Hz	DN63
WL-UVX160	15	160	220/50Hz	DN63
WL-UVX320	25	320	220/50Hz	DN63

UVM SERIES UV STERILIZER FOR SEAWATER

UVM series UV sterilizer is specially designed for sea water conditions, the reaction chamber is made of noncorrosive and high quality organic material, to ensure a long service life. This UV sterilizer has excellent performance of sterilization and water purification, non-toxic and harmless. It is an ideal solution for aquarium and aquaculture.

Features:

- Simple in-line chamber design for easy installation and maintenance.
- PVC plastic chamber is compatible for fresh water, seawater, chlorine feeder and salt chlorinator.
- Lamp service life: 9000-10000 hours of operation, approximate 12 months of continuous working.
- With over temperature protection, preventing damage from overheating.
- General operation and maintenance: Quartz sleeve is to be cleaned every 6-12 months and to be replaced every 24 months. UV lamp is to be replaced every year for continuing service.



Product parameters

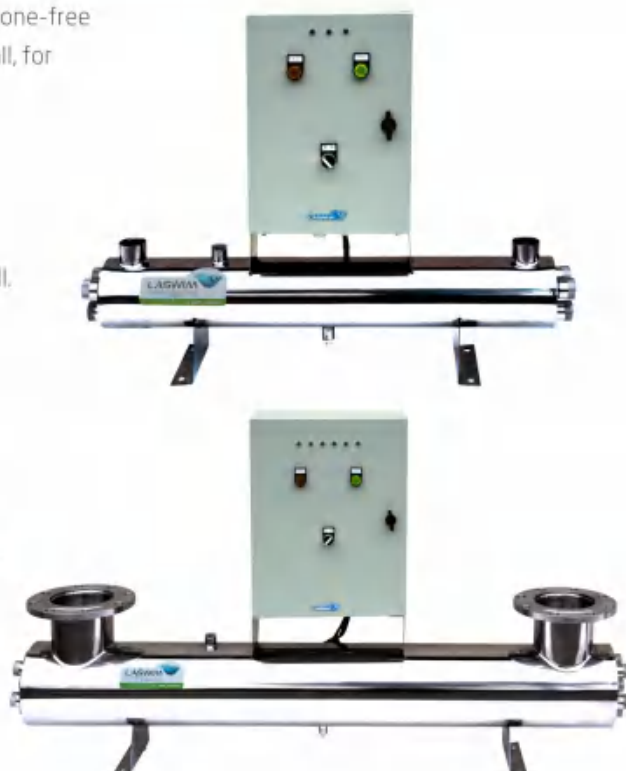
Model	Flow rate(m ³ /h)				Product size (mm)	Connection size (inch)	Voltage (V)	Power (W)	Working pressure (kg/cm ²)	Working temperature (°C)
	16mj/cm ²		30mj/cm ²							
	UVT=80%	UVT=90%	UVT=80%	UVT=90%						
UVMS-1	4.86	5.56	2.60	3.05	D89*786	2	220	33	2.8	2-40
UVMS-2	9.27	10.85	4.97	5.76	D89*786	2	220	65	2.8	2-40
UVMS-3	12.43	14.56	6.55	7.68	D89*946	2	220	85	2.8	2-40
UVMS-4	15.6	18.53	8.36	9.83	D89*1241	2	220	120	2.8	2-40
UVMM-1	5.88	7.23	3.16	3.84	D114*810	2	220	33	2.8	2-40
UVMM-2	11.3	13.9	6.0	7.46	D114*810	2	220	65	2.8	2-40
UVMM-3	15.14	18.53	8.14	9.94	D114*970	2	220	85	2.8	2-40
UVMM-4	19.21	23.73	10.17	12.66	D114*1265	2	220	120	2.8	2-40
UVML-1	24.18	36.61	12.88	19.43	D219*988	2	220	85	2.8	2-40
UVML-2	30.51	46.1	16.16	24.86	D219*1288	2	220	120	2.8	2-40
UVML-3	-	-	19.05	-	D219*988	2	220	125	2.8	2-40
UVML-4	-	-	30.51	-	D219*1288	2	220	225	2.8	2-40

UVC FULL FLOW UV STERILIZER

WL-UVC series full flow UV sterilizer adopts special high strength ozone-free UV lamp and stainless steel reaction chamber with polished inner wall, for maximum UV transmission and excellent disinfection effect.

Features:

- The chamber is made of 304 stainless steel with polished inner wall.
- The UV lamp is equipped with quartz sleeve, to ensure the optimal working condition.
- The sterilization is comprehensive, efficient and fast, and the sterilization rate is as high as 99.9%.
- High UV-C output and physical sterilization, no by-products and secondary pollution.
- Sterilization water volume range: 5.5-250T/H, suitable for various size of aquarium, aquaculture, swimming pool and water parks.
- Compact structure with small footprint.
- Maintenance: fast and simple replacement of the lamp and cleaning of quartz sleeve.



Product parameters

Model	Total power (W)	Flow rate (m ³ /h)	Working voltage (V)	Chamber	Chamber size L×D×H(mm)	Lamp power (mm)	Water inlet /outlet size
WL-UVCn-78	78	5.5	220V/50Hz	304SS	930×108×720	39W×2	Dn32
WL-UVCn-160	160	12	220V/50Hz	304SS	930×108×720	80W×2	Dn50
WL-UVC-240	240	20	220V/50Hz	304SS	930×159×780	80W×3	Dn65
WL-UVC-320	320	25	220V/50Hz	304SS	930×159×780	80W×4	Dn80
WL-UVC-465	465	35	220V/50Hz	304SS	1630×219×830	155W×3	Dn100
WL-UVC-620	620	45	220V/50Hz	304SS	1630×219×830	155W×4	Dn80/100
WL-UVC-775	775	60	220V/50Hz	304SS	1630×219×1080	155W×5	Dn150
WL-UVC-930	930	80	220V/50Hz	304SS	1630×325×1180	155W×6	Dn150
WL-UVC-1280	1280	90	220V/50Hz	304SS	1630×325×1180	320W×4	Dn150
WL-UVCP-1085	1085	100	220V/50Hz	304SS	1630×325×1180	155W×7	Dn150
WL-UVCP-1395	1395	125	220V/50Hz	304SS	1630×325×1200	155W×9	Dn150
WL-UVCP-1600	1600	110	220V/50Hz	304SS	1630×325×1400	320W×5	Dn150
WL-UVCP-1705	1705	150	220V/50Hz	304SS	1630×325×1500	155W×11	Dn200
WL-UVCP-1920	1920	130	220V/50Hz	304SS	1630×325×1500	320W×6	Dn150
WL-UVCP-2240	2240	150	220V/50Hz	304SS	1630×377×1500	320W×7	Dn200
WL-UVCP-2560	2560	180	220V/50Hz	304SS	1630×377×1500	320W×8	Dn200
WL-UVCP-2880	2880	200	220V/50Hz	304SS	1630×377×1500	320W×9	Dn200
WL-UVCP-3840	3840	250	220V/50Hz	304SS	1630×426×1500	320W×12	Dn250

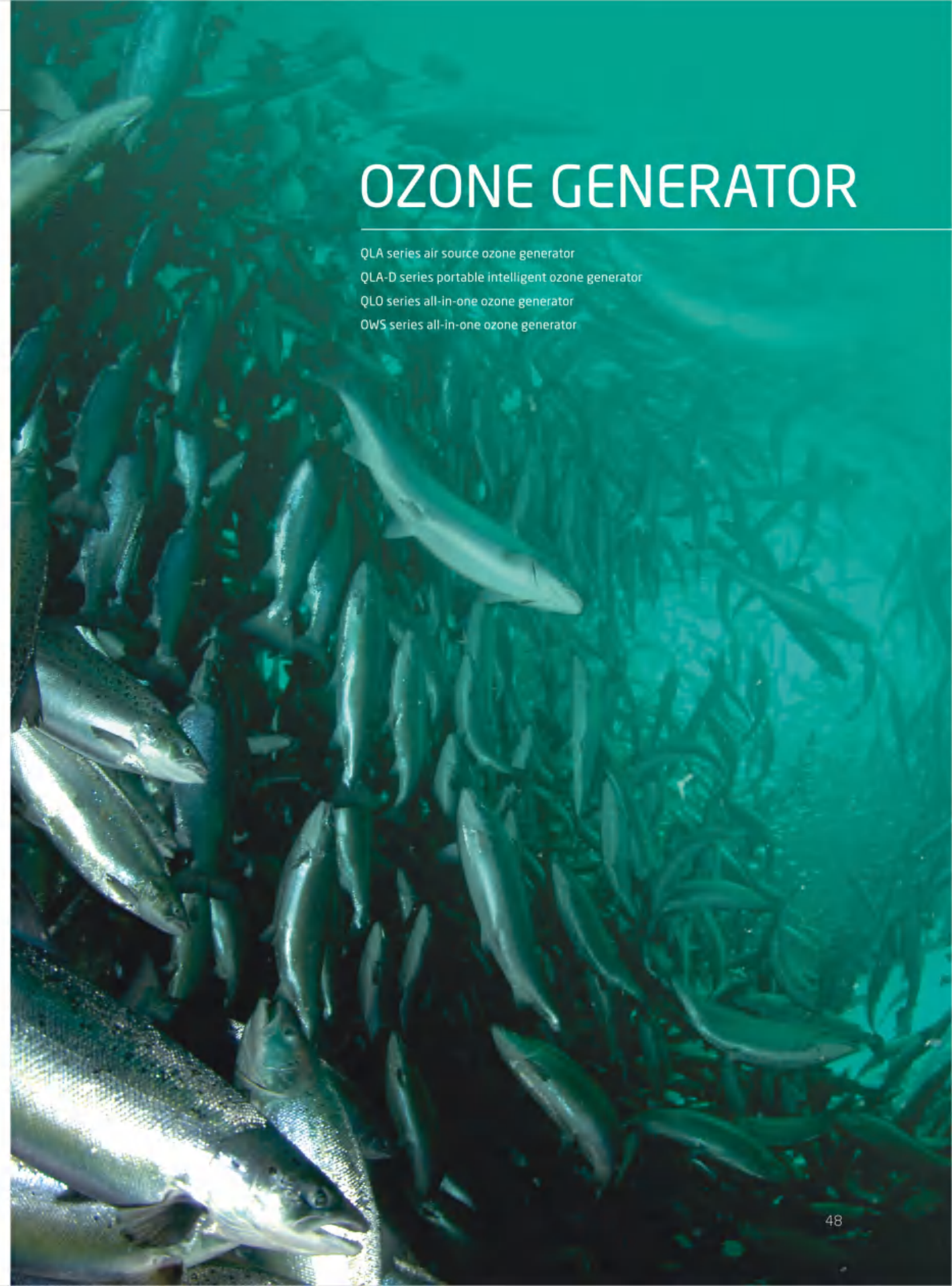
OZONE GENERATOR

QLA series air source ozone generator

QLA-D series portable intelligent ozone generator

QLO series all-in-one ozone generator

OWS series all-in-one ozone generator



QLA SERIES AIR SOURCE OZONE GENERATOR



Features:

- 0-120 minutes timer, ozone concentration can be adjusted.
- High grade stainless steel housing for excellent corrosion resistance and oxidation resistance.
- Air source or oxygen source can be selected according to the requirements.
- High conversion efficiency, low energy consumption and can work continuously.
- Components, connectors and gas pipelines are antioxidant, which is not easily oxidized.
- Design with both air-cooled and water-cooled cooling system, to ensure long-term and stable operation.
- Applicable for aquarium and recirculating aquaculture, help to promote the healthy growth of aquatic organisms and reduce the probability of disease.

Product parameters

Model	Ozone output (g)	Rated power (W)	Applicable area (m ²)	Power supply	Cooling method	Product size (mm)	Packing size (mm)	Net weight /Gross weight (kg)
WL-QLA7G-M	7	120	150	220/50Hz	Air-cooled	320×250×520	410×320×575	8.3/9.5
WL-QLA10G-M	10	140	200	220/50Hz	Air-cooled	320×250×520	410×320×575	9/10
WL-QLA15G	15	250	100	220/50Hz	Air-cooled	400×300×620	490×370×676	14.2/16.4
WL-QLA20G	20	280	250	220/50Hz	Air-cooled	400×300×620	490×370×676	15/17.1
WL-QLA30G	30	350	300	220/50Hz	Water-cooled	400×300×720	405×510×770	16.4/25
WL-QLA40G	40	400	350	220/50Hz	Water-cooled	400×300×720	405×510×770	17/26
WL-QLA50G	50	600	400	220/50Hz	Water-cooled	500×400×910	505×610×990	39/44.3
WL-QLA60G	60	650	450	220/50Hz	Water-cooled	500×400×910	505×610×990	39/44.3
WL-QLA80G	80	950	500	220/50Hz	Water-cooled	500×400×1230	605×510×1320	42.9/60
WL-QLA100G	100	1040	700	220/50Hz	Water-cooled	500×400×1230	605×510×1320	44/61
WL-QLA150G	150	1700	700	220/50Hz	Water-cooled	600×500×1380	750×600×1500	95/108
WL-QLA200G	200	2300	700	220/50Hz	Water-cooled	600×500×1380	750×600×1500	95/108

Note: Ozone concentration: air source 15-25mg/L; External oxygen source 60-120g/m³. Gas source can be used: air source or external oxygen source.

QLA-D SERIES PORTABLE INTELLIGENT OZONE GENERATOR

Features:

- LCD panel, wireless remote control, 0-24hr intelligent timing.
- Portable design, stainless steel body, anti-corrosion and anti-oxidation.
- High conversion efficiency, low energy consumption, continuous operation, adjustable concentration and long service life of generator tube.
- Applicable for aquarium and recirculating aquaculture, help to promote the healthy growth of aquatic organisms and reduce the probability of disease.



Product parameters

Model	Ozone output (g)	Rated power (W)	Applicable area (m ²)	Power supply	Cooling method	Product size (mm)	Packing size (mm)	Net weight /Gross weight (kg)
WL-QLA7G-D	7	120	160	220/50Hz	Air-cooled	320×250×540	410×320×575	8/9
WL-QLA10G-D	10	140	320	220/50Hz	Air-cooled	320×250×540	410×320×575	8.2/10

Note: Ozone concentration: air source 15-25mg/L; External oxygen source 60-120g/m³. Gas source can be used: air source or external oxygen source.

QLO SERIES ALL-IN-ONE OZONE GENERATOR

Ozone disinfection plays an important role in the prevention and elimination of diseases in aquarium and aquaculture. It is a powerful oxidizing agent which can disinfect and oxidize bacteria, viruses and organic pollutants while increasing the dissolved oxygen in the water, providing effective disinfection without producing harmful by-products or chemical residuals.

Features:

- Built-in oxygen generating unit, ozone generation unit, oil free compressor and filter unit, can be used when the equipment is powered on.
- Easy to operate, continuous generation of ozone and ozone concentration can be adjusted.
- Adopts stainless steel casing, beautiful appearance with strong corrosion resistance and oxidation resistance.
- Special specification can be customized.
- Durable robust design, applicable for aquarium and recirculating aquaculture, help to promote the healthy growth of aquatic organisms and reduce the probability of disease.



Product parameters

Model	Ozone output (g)	Rated power (W)	Ozone concentration (mg/L)	Applicable water volume (m ³ /h)	Product size (mm)	Packing size (mm)	Net weight /Gross weight (kg)	Cooling water flow (m ³ /h)
WL-QLO-10G	10	510	80	3	500×400×730	505×610×810	32/44.4	/
WL-QLO-15G	15	630	80	5	500×400×730	505×610×810	35/48	1.8
WL-QLO-20G	20	730	80	10	500×400×910	500×600×980	43/51	1.8
WL-QLO-30G	30	750	80	15	500×400×910	500×600×980	45/53	1.8
WL-QLO-40G	40	860	80	20	500×400×1030	510×610×1150	48/59	1.8
WL-QLO-50G	50	945	120	30	500×400×1150	510×610×1300	52/65	1.8
WL-QLO-60G	60	1100	120	40	500×400×1150	510×610×1300	55/69	1.8
WL-QLO-80G	80	1700	120	50	500×400×1600	500×600×1760	69/100	2
WL-QLO-100G	100	1900	120	70	500×400×1600	500×600×1760	86/107	2
WL-QLO-150G	150	3200	120	100	700×750×1430	/	/	/
WL-QLO-200G	200	3600	120	100	700×750×1430	/	/	/

Note: Gas source: oxygen source, power supply: 220V/50Hz

OWS SERIES ALL-IN-ONE OZONE GENERATOR

Features:

- Backwater protection device, built-in self-priming gas-liquid mixing pump.
- Adjustable ozone output and water flow.
- The whole machine is movable and easy to operate, only needs to be connected to the water inlet.
- Adopts stainless steel casing, beautiful appearance with strong corrosion resistance and oxidation resistance.
- Safe and clean, no residue, no secondary pollution, instead of chemical disinfectants.
- The high concentration of ozone water can improve the environmental sanitation, reduce the breeding of bacteria, and improve the economic benefits of aquaculture.
- The high concentration of ozone helps to improve the water quality, reduce the breeding of bacteria, and improve the economic benefits of aquaculture.
- Durable robust design, applicable for aquarium and recirculating aquaculture.



Product parameters

Model	Ozone output (g)	Rated power (W)	Ozone concentration (mg/L)	Applicable water volume (m ³ /h)	Product size (mm)	Packing size (mm)	Net weight /Gross weight (kg)
WL-OWS-10G	10	800	3	2.8	900×400×1100	1010×510×1200	70/80
WL-OWS-20G	20	1200	4	3.5	900×400×1310	1010×510×1370	82/104
WL-OWS-30G	30	1300	5	3.5	900×400×1440	1010×610×1600	96/118

Note: Gas source: oxygen source, power supply: 220V/50Hz

CONSTANT TEMPERATURE SYSTEM

Water quality is extremely important and critical for aquaculture and aquarium. Water temperature not only directly affects the metabolic activities of aquatic life, but also affects their growth by changing other elements of the water indirectly. According to the biological habits of different species, fish can be divided into cold water fish, warm water fish and tropical fish. The right and stable water temperature is essential to their health. Different fishes have different requirements for water temperature, some fishes need the water to be heated at a constant temperature while some fishes need to be cooled at a constant temperature. Laswim air source heat pump is an optimal, cost-effective and eco-friendly solution to provide a perfect water condition for different fish species. And as we know, animals that are healthy and happy will grow faster, live longer, and require less maintenance.

Heat pump for aquaculture
Chiller
Plate heat exchanger

HEAT PUMP FOR AQUACULTURE

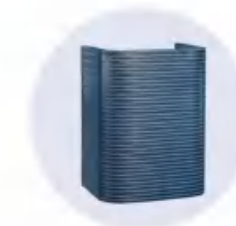
This series air source heat pump is specially designed according to the special breeding needs of aquaculture and aquarium, can precisely maintain the water temperature.



FEATURES OF HEAT PUMP FOR AQUACULTURE & AQUARIUM

1. More economical and energy saving

The COP of this aquaculture heat pump is higher than that the ordinary heat pump, which means that the time for this unit to reach the same temperature is shorter, and the daily use and maintenance costs are lower!



■ Evaporator:

- With large surface for big air flow and good heat absorption.
- With great corrosion and heat resistance, COP is stable.



■ Intelligent and high efficient control system

- Automatic electric control system with a touch display, the operation and settings are more easy and convenient.
- The control panel adopts advanced SMT technology and ST micro-computer chip, with stable & reliable performance and powerful functions.



■ Dual coil Titanium heat exchanger:

- Enlarges the heat exchanging surface that increases efficiency by providing an sufficient action area.
- Effectively resists the corrosion of chloride in water.



■ Electric expansion valve:

- Automatically adjust the refrigerant flow rate, ensuring
- the units operate with high efficiency in all weather conditions.



■ International standard compressor:

- International famous brand compressor with precise energy stage settings ensures the working unit to achieve the desired energy saving effect.

2. Longer service life and more in return

The materials of Laswim aquaculture heat pumps are more suitable for use in aquaculture environments, with a long life span (about 10-12 years) and a high return on investment.

Features:

- The titanium heat exchanger does not react with weak acids and weak bases, and is not affected by sea water and scale. It can adapt to aquarium and aquaculture farms' condition.
- The housing is made of high quality metal material and the surface is specially treated, which does not fade, does not change color and has good corrosion resistance, which ensures the service life of the heat pump for more than 10 years.
- Adopts hydrophilic blue film fins to make the evaporator resistant to heat and corrosion, and not affected by operating time.
- The copper tube adopts multiple anti-corrosion measures to prevent the corrosion of the sea. Its service life is 4 to 6 times longer than the normal aluminum tube (average service life is 2-3 years).

Technical parameters

Model	LAS18-KP	LAS21-KP	LAS35-KP	LAS42-KP	
Standard heating condition	Heating capacity (Kw)	20.1	24.1	40.2	48.2
	COP	5.58	5.58	5.58	5.58
Low temperature heating condition	Heating capacity (Kw)	15.3	18.4	30.6	36.8
	COP	4.20	4.20	4.20	4.20
Cooling condition	Cooling capacity (Kw)	13.4	16.1	26.8	32.2
	EER	3.20	3.20	3.20	3.20
Advised pool volume (m ³)	20-60	30-80	60-120	70-160	
Power supply (V/ph/Hz)	380V/3N/50Hz				
Rated input power (Kw)	3.6	4.3	7.2	8.6	
Rated input current (A)	6.1	7.3	12.2	14.6	
Maximum input power (Kw)	5.9	7.1	11.8	14.2	
Maximum input current (A)	9.9	11.9	19.8	23.8	
Maximum outlet water temperature (°C)	40				
Grade of water proof	IPX4				
Anti-shock type	I				
Operating air temperature (°C)	-5°C~45°C				
Heat exchanger	Titanium in PVC (The material in contact with water is titanium)				
Maximum pressure (MPa)	2.8/4.2				
Refrigerant	R22/R410A				
Noise Level dB(A)	≤63	≤63	≤64	≤64	
Water inlet/outlet size (mm)	40	40	50	50	
Circulating water flow rate (m ³ /h)	4.3	5.2	8.6	10.4	
Water pressure drop (kPa)	40	47	48	50	
Net weight (Kg)	110	165	280	320	
Dimensions (mm)	750/750/1050	750/750/1050	1450/725/1050	1450/705/1350	

Remark:

1. Standard heating condition: 20°C DB, 15°C WB, inlet water temperature 26°C;
2. Low temperature heating condition: 7°C DB, 6°C WB, inlet water temperature 26°C;
3. Cooling condition: 35°C DB, 27°C WB, inlet water temperature 28°C;
4. Due to the continuous improvement of products, the actual data will be subject to change without prior notice, please refer to the nameplate.

3. Simple and convenient operation

Laswim aquaculture heat pump adopts an advanced computer control system, one-time setting and intelligent operation, fully automatic and precise control of water temperature and the unit's operation status, making the constant temperature easier and more labor-saving.

4. Various choices and can be customized

Laswim heat pumps for aquaculture include air source heat pump and water source heat pump. Customers can choose according to the actual conditions. At the same time, Laswim's professional technical team can provide customers with customized services, so that the heat pumps can be more targeted.

Technical parameters

Model	LAS52-KP	LAS70-KP	LAS85-KP	LAS105-KP	
Standard heating condition	Heating capacity (Kw)	56.3	80.4	96.4	112.6
	COP	5.58	5.58	5.58	5.58
Low temperature heating condition	Heating capacity (Kw)	42.8	61.2	73.6	42.8
	COP	4.20	4.20	4.20	4.20
Cooling condition	Cooling capacity (Kw)	37.5	53.6	64.4	37.5
	EER	3.20	3.20	3.20	3.20
Advised pool volume (m ³)	80-180	140-280	170-350	200-420	
Power supply (V/ph/Hz)	380V/3N/50Hz				
Rated input power (Kw)	10.1	14.4	17.2	20.2	
Rated input current (A)	17.1	24.4	29.2	34.2	
Maximum input power (Kw)	16.5	23.6	28.4	33.0	
Maximum input current (A)	27.7	39.6	47.6	55.4	
Maximum outlet water temperature (°C)	40				
Grade of water proof	IPX4				
Anti-shock type	I				
Operating air temperature (°C)	-5°C~45°C				
Heat exchanger	Titanium in PVC (The material in contact with water is titanium)				
Maximum pressure (MPa)	2.8/4.2				
Refrigerant	R22/R410A				
Noise Level dB(A)	≤65	≤66	≤67	≤68	
Water inlet/outlet size (mm)	50	50	50	50	
Circulating water flow rate (m ³ /h)	12.1	17.3	20.7	24.2	
Water pressure drop (kPa)	50	51	53	50	
Net weight (Kg)	420	560	650	760	
Dimensions (mm)	1450/705/1350	2250/1035/1200	2250/1035/1200	2250/1035/1200	

ADVANTAGES OF HEAT PUMP FOR AQUACULTURE

1. Cost-effective

Whether the first heating or daily constant temperature, what you gain from the heat pump will be much more than what you pay. It helps the user to save big operation cost and daily maintenance cost. Its long service life (12-15 years) also let aquaculture farmers benefit a lot.

2. Safe

Extracts the latent heat from the ambient air and transfer it to the water. The water does not contact with electricity, no waste gas, waste residue, smoke and dust will be produced, and does not have the danger of electric leakage, gas leakage and explosion. This process is clean and safe for the environment, very suitable for any aquarium and aquaculture.

3. Intelligent control

Adopts an intelligent control system, it runs automatically after starting, automatically monitor the water temperature and keep the water at a constant temperature, minimizing the labor cost!

4. Trouble-free

Heat pump only needs small amount of electricity for the running. The electricity supply method is simple and no need to worry about the price fluctuations. As long as the power supply is normal, the water can be kept at a constant temperature all the year round.

5. Higher yields and increased growth rate

By precisely controlling the water temperature, heat pump helps to greatly improve the aquatic life's survival rates, reproduction rates and grow-out cycles.



CHILLER

Lights and pumps can quickly raise water temperature of aquarium and aquaculture to dangerous levels, but water chiller will help to lower and maintain a safe temperature. Laswim chiller utilizes high efficiency internal threaded tube, its high heat exchange efficiency is more than twice that of traditional shell and tube heat exchangers. The inlet and outlet of the refrigerant is excellent sealed to avoid leakage. The sealing is made of high temperature resistant materials, which can withstand a wide temperature range of -20°C to 200°C. Filling with heat insulation material between the steel housing and the engineering plastic housing, which can effectively reduce the heat loss of the heat exchanger. Durable independent joint, water inlet and outlet is made of metal materials, sturdy and durable, can be used under special water quality and effectively resist the corrosion of acid, alkali, chloride ion and erosion of sediment.



Features:

- Adopts digital controller to keep the water temperature more accurate and stable.
- The digital controller can monitor the high and low pressure of the compressor, when the pressure is too high or too low, an alarm will be triggered automatically.
- The power-off memory function can effectively ensure that when the power is turned off, it will automatically continue to work at the original set temperature when the power is turned on again, ensuring the safety and health of the animals and plants in the aquarium.



Product parameters

Model	Power supply (V)	Power (hp)	Cooling capacity (kw)	Water inlet /outlet size	Fan quantity	Refrigerant	Net weight (kg)	Dimension (mm)
LAS-020-WA	220	2	5	1.5"	1	R410A	65	710/768/845
LAS-030-WA	220	3	7.5	1.5"	1	R410A	80	710/768/845
LAS-050-WA	380	5	10	1.5"	1	R410A	115	710/768/845
LAS-080-WA	380	8	15	2"	1	R410A	140	870/810/1250
LAS-100-WA	380	10	20	2"	2	R410A	160	1450/785/1045
LAS-150-WA	380	15	30	2"	2	R410A	280	1580/910/1660

PLATE HEAT EXCHANGER

1. Economical and high-efficiency

Assembled from corrugated plates formed by one-time stamping and has low metal consumption. When using corrosion-resistant materials, the investment cost is significantly lower than other types of heat exchangers.

2. High heat transfer coefficient

When the Reynolds number > 10 , severe turbulence can be generated, and the general total heat transfer coefficient can be as high as $3000 \sim 7000 \text{W/m}^2\text{K}$.

3. Less heat loss

The heat exchange is carried out in the form of countercurrent, which can reach a temperature difference of 1°C at the end, and the thermal efficiency is $\geq 95\%$. Only the edges of the plates are exposed, with minimal heat loss and no need for heat preservation.

4. Compact structure, small footprint

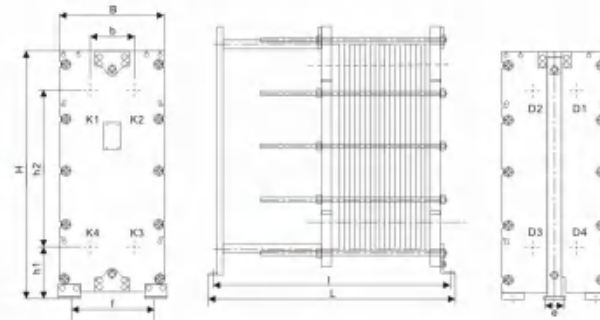
A small space can provide large heat exchange area, and its occupied space is a small part of other types of heat exchangers, and no additional space for disassembly and assembly is required.

5. Long service life and easy maintenance

High turbulence degree of water flow, effectively reduces scaling, and the stainless steel plate is not corroded. When it needs to be disassembled and cleaned, just loosen the fastening bolts, and the gasket can be quickly replaced.

6. Wide adaptability

Each model has four different specifications of plates, and different combinations can flexibly meet various conditions of use. The plate is an independent unit, and the number of plates can be increased or decreased to match the changing heat requirements.



Product parameters

Size	Model	BH0.05	BH0.1	BH0.2	BH0.3	BH0.5	BH0.8	BH1.3	BH1.8
Single plate heat exchange area(m^2)		0.05	0.11	0.18	0.27	0.52	0.82	1.34	1.80
	b	80	151	174	238	310	348	516	628
	B	200	320	380	500	630	900	1150	1370
	e	---	140	140	140	150	240	240	300
	f	---	220	280	400	480	830	1050	1270
	h1	50	262	230	330	342	279	380	500
	h2	430	554	739	854	1208	1438	1778	2100
	H	530	930	1100	1350	1750	2055	2430	3000
	ϕ	---	14	14	14	18	22	22	26
L	MIN	110	565	623	780	759	1265	1100	1600
	MAX	330	1105	1623	1625	1629	2050	2600	4200
	Connecting size(flange)	DN25	DN40	DN50	DN80	DN125	DN200	DN250	DN250
Weight	MIN	26	150	280	540	1300	1800	2600	3300
	MAX	48	240	400	800	1800	2350	4400	6500

DRUM FILTERS

RDF rotary drum filter

RDM rotary drum filter



RDF ROTARY DRUM FILTER

Rotary drum filter for aquaculture farms is mechanical and self-cleaning micro-filtration equipment, which is designed for high performance in water-treatment systems. It uses a rotating drum to separate the micro suspended solid out of the water to reach solid-liquid separation. Dirty water enters the inside of the drum through a water inlet and the drum is covered with a stainless steel (316L) micro screen. From here it passes through the filter screen to the filter chamber, leaving all impurities on the inside of the filter screen. Waste particles slowly block the filter screen causing less water to pass through the drum leading to a higher water level inside the filtering drum. Once the water inside the filtering drum rises to the specified level, the automatic control system starts to work, the back wash pump and drum motor will be open automatically at the same time. During the washing process, the water under pressure rinses the dirt from the inside of the filter screen to a waste tray, and then leaves the filter through a sewage outlet. After one rotation of the drum, the filter screen is cleaned. When contamination gathers again on the inside of the filter screen, the cycle repeats itself.



Features:

- Small footprint, large filtration area, tiny filter aperture, low resistance and good filtration effect.
- Adopts 316L stainless steel filter screen, sturdy and durable.
- The housing is made of high quality plastic material with strong corrosion resistance.
- The waste tray has an inclined angle for quick discharge.
- Easy installation, stable operation, low energy consumption, high efficiency, simple operation and management.
- Multiple working modes of automatic, stop, and manual. In the automatic working mode, it will automatically sense whether the screen is blocked and automatically backwash. At the same time, the backwashing time can be set according to the blockage of the screen.



Product parameters

Model	Product size (mm)	Flow rate (m ³ /h)	Filtration precision (μm)	Voltage (V)/50Hz	Power		Water inlet		Water outlet	
					KW	HP	mm	inch	mm	inch
WL-RDF30	1100*1050*950	0~30	40/80	380	0.73	0.98	φ160	6"	φ160	6"
WL-RDF60	1500*1080*950	40~60	40/80	380	0.80	1.07	φ160	6"	φ160	6"
WL-RDF90	1650*1250*1080	70~90	40/80	380	1.12	1.50	φ160	6"	φ160	6"
WL-RDF120	1660*1550*1300	100~120	40/80	380	1.30	1.74	φ200	8"	φ200	8"
WL-RDF180	2130*1550*1300	130~180	40/80	380	1.65	2.21	φ250	10"	φ250	10"
WL-RDF250	2600*1550*1300	190~250	40/80	380	1.85	2.48	φ250	10"	φ250	10"

RDM ROTARY DRUM FILTER

When the sewage water enters the inside of the drum through the water inlet, it will stay awhile to steady the flow. Then the solid will be separated by the filter screen and clean water will flow out. The filtration efficiency will be reduced due to the accumulation of solid in the filter screen, when the water level in the chamber is increased to a specific level, the automatic backwashing system will start to work automatically, ensuring the filter screen's filtering capacity. High efficiency filtration, low power consumption and less maintenance are the main advantages of rotary drum filter.

Features:

- Simple structure, stable operation, easy maintenance and long service life.
- High treatment capacity, high efficiency and continuously automatic process.
- 304-316 stainless steel structure and water contact part (excluding drive box) + FRP cover.
- High pressure backwash system.
- Two working modes: automatic and manual.
- The filter screen can be selected from 21-80 microns.
- Flow rate from 50-400m³/h.
- VFD motor control.



Application:

- Primary and secondary filtration of sewage / seawater treatment.
- Fish farm water treatment.



Product parameters

Model	Main motor (HP)	Backwash pump	Number of filter screen	Filtration area	Spray nozzle	Backwash flow rate @7bar(L/Min.)	Power supply
WL-RDM2014	0.08	0.5	2	4.91	4	3.2	
WL-RDM3218	0.33	0.5	4	10.12	5	4	
WL-RDM3236	0.33	0.75	8	20.24	10	7.9	
WL-RDM3254	0.33	1	12	30.36	15	11.9	120/60
WL-RDM4848	0.33	0.75	16	40.48	12	9.5	220/50
WL-RDM4872	0.33	1.5	24	60.72	18	14.2	240/3/60
WL-RDM6072	0.5	1.5	30	75.9	18	14.2	380/3/50
WL-RDM6096	1	2	40	101.2	24	19	
WL-RDM60120	1.5	2	50	126.5	30	23.7	

BIOLOGICAL FILTRATION SYSTEM

Biological filter is the core equipment of aquaculture. In the case that the total circulating water volume is fixed, but the total amount of nitrogen input is constantly increasing, under the action of organisms, these nitrogenous substances would be converted into ammonia or nitrite dissolved in water. The continuous accumulation of these substances will cause the organisms poisoning. Therefore, these nitrogenous substances must be converted into non-toxic substances in aquaculture. Bio-filtration is the decomposition of ammonia nitrogen and other substances in water by the cultivation of biochemical bacteria through the filtration media, but it requires pretreatment, sand filter, protein skimmer can be used as the pretreatment equipment.

- Biological filter
- Bead filter
- Skid mounted filtration systems



BIOLOGICAL FILTER

Biological filter is a natural filtering system consisting of beneficial bacteria that, through a cycling process, convert pollutants in water to harmless nitrate. Its delicate design keeps the water flow within a certain range and ensures that the biofilm can be attached to the filter media as soon as possible, to achieve the best filtration performance with the whole water treatment system.

Can be worked with:

Sand filter, protein skimmer, air pump or blower

Notice

Biological filter tank (Biochemical tank) is not recommended to be used with the ozone generator, but can be preinstalled with UV sterilizer.

Material

Non-toxic food grade PP or PVC

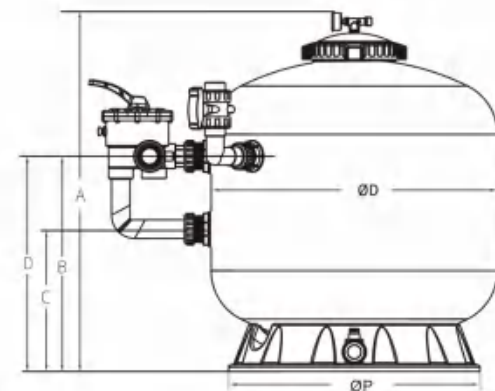


BEAD FILTER

WL-BFG bead filter is an innovative pressurized filtration system, filling with filter media of food grade polyethylene granules or beads. It provides both mechanical filtration and biological filtration. The media floats and therefore provide a means of mechanical filtration. The form and size of the media provides enormous surface on which bacteria and suspended solid can attached to it, in this way, biological filtration is realized. It has been widely used for pond and aquarium.

Features:

- Fiberglass reinforced filters are super strong and anti-corrosion.
- Simple to assemble and set up.
- Equipped with easy-to-use 6-way multiport valve.
- Easy cleaning and convenient maintenance.
- Sight glass for inspection of filtered water.
- Air blower upgrades available.



Φ D (mm)	450	500	630	700	800	900	1200
A (mm)	660	730	790	885	1020	1110	1350
B (mm)	385	405	435	520	605	650	820
C (mm)	260	280	310	300	385	430	600
E (mm)	385	405	435	480	600	650	820
Φ D (mm)	390	390	565	565	790	790	1010

Product parameters

Model	Tank diameter (mm)	Tanks height (mm)	Flow rate (m ³ /h)	Pond size (m ³)	Fish load (kg)	Advised blower (watt)	Weight of filter media (kg)
WL-BFG450	450	660	8	6	20	700	18
WL-BFG500	500	730	11	10	35	700	30
WL-BFG650	650	745	16	30	78	900	50
WL-BFG700	700	830	19	34	94	900	75
WL-BFG800	800	905	25	52	124	900	100
WL-BFG900	900	1005	30	73	172	1000	125
WL-BFG1200	1200	1325	42	148	310	2x1000	325

SKID MOUNTED FILTRATION SYSTEM

Laswim skid mounted filtration system is built using quality components. This system combines biological filter media, UV sterilizer, and a pump to create a complete filtration system. The system is designed to deliver unmatched filtration and UV sterilization, providing trouble free operation for your water feature. It can quickly and efficiently remove suspended solids, organic matter, blue-green algae, fishy odor and mosquito larvae in the water, improve water visibility, and keep the water clean and healthy all year round.

Features:

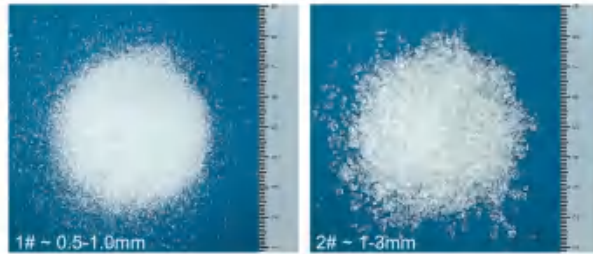
- 304 stainless steel casing, strong and durable.
- Flexible and easy installation.
- Convenient maintenance, only need to clean every 2-3 months.
- Adopts durable UV sterilizer with two lamps to kill bacteria and algae.
- Provides physical, biological and chemical filtration, effectively remove organic pollution from water.
- Low water change costs and operation costs.
- Stable operation and long service life, the filter media can be recycled for long time.
- The specially designed multi-chamber filtering compartment can place different types of filter media for precision filtration.



Product parameters

Model	Pump parameters Flow rate, power, head, connecting size (mm)	Plicable water volume (m ³)	UV power (W)	Water inlet /outlet size (kg)	Product size (mm)
WL-OSA-08K	8(OSA-8500) 96W/4.1m/40mm	12	120	1×40/1×90	700×600×600
WL-OSA-12K	13(OSA-13000) 130W/5.0m/40mm	20	160	1×40/1×90	750×650×650
WL-OSA-20K	15(OSA-G15000) 285W/6.6m/50mm	30	240	1×40/1×90	850×700×720
WL-OSA-30K	20(OSA-G20000) 415W/7.6m/50mm	40	300	1×50/1×110	1000×750×720
WL-OSA-45K	25(OSA-G25000) 515W/8.0m/50mm	60	360	1×50/1×110	1100×850×750
WL-OSA-60K	30(OSA-G30000) 650W/8.0m/50mm	80	420	1×50/1×110	1200×900×850
WL-OSA-80K	2×20(OSA-G20000) 415W/7.6m/50mm	90	480	2×50/2×110	1300×1000×1000
WL-OSA-120K	2×25(OSA-G25000) 515W/8.0m/50mm	120	600	2×50/2×110	1500×1000×1000
WL-OSA-150K	4×20(OSA-G20000) 415W/7.6m/50mm	150	960	2×50/2×110	1800×1100×1000
WL-OSA-180K	4×25(OSA-G25000) 515W/8.0m/50mm	200	1200	2×50/2×110	2000×1200×1000

FILTER MEDIA



Crystal filter media

Crystal glass filter media is a new type of renewable water treatment filter material, has the characteristics of high efficiency, clean, environmental friendly and long service life. It is an ideal replacement of traditional silica sand. Application: swimming pool, water park, aquarium, SPA, water feature



Ceramic filter ring

Specification: 20*20*20mm
Main ingredients: sodium Silicate, calcium silicate
Suitable for: biological filter, sand filter
Application: biological bacteria culture for wastewater treatment, aquaculture water treatment, aquarium project, family aquarium and other treatment projects.



Activate carbon

Main ingredients: coal carbon or wood carbon
Application:
1. Use to remove color or impurities in liquid.
2. Use to remove odors and fumes in gas.
3. Used in the field of catalysis, and as a carrier of a substance.



Bio ball

Specification(diameter): 32-42-48mm (not contain cotton core)
Main ingredients: nontoxic PP or PVC plastic



Coral sand

Main ingredients: natural coral bone stone sand
Application: it can help to eliminating chlorine, sterilize, remove odor and balance PH value, and can improve the water quality of fish tank. It is often used in seawater aquaculture filtration systems.



K1 filter media

Specification (diameter): about 11mm
Main ingredients: PE material
Application: can be used in the field of environmental protection, chemical industry, wastewater treatment, drinking water treatment, aquaculture water treatment and so on.



K3 filter media

Specification: 25*12mm
Suitable for: biological filter or trickle-flow bio-filter
Application: Reuse reclaimed water after biochemical treatment, denitrification and phosphorus removal of river regulation, the removal of ammonia and nitrogen in aquaculture and water purification.



Volcanic stone

Specification: 25kg/pack
Suitable for: biological filter
Main ingredients: Sodium, magnesium, aluminum, silicon, perovskite, manganese, iron, nickel, cobalt, molybdenum and other minerals and trace elements.



Filter mat

Specification: 200*100*4.5cm
Recommend combination: volcanic stone, ceramic filter ring and filter brushes
Application: sea water recirculating aquaculture project, sewage treatment project, drinking water treatment and biological filtration of many other industries.



Cross sponge ball

Material: polyurethane + PP plastic
Specific surface area: 5000m²/m³
Voidage: >90%
Application: it is widely used in biological filtration of various water treatment.



Filter brushes

Specification: 100*500mm
Main ingredients: 316 stainless steel core and high quality PVC brushes.

CLASSIC PROJECTS

